

Excellent Integrated System Limited

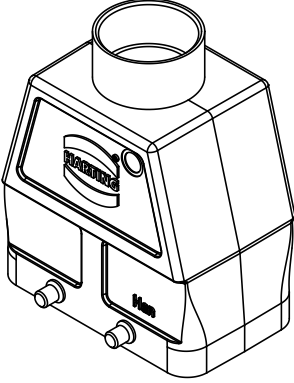
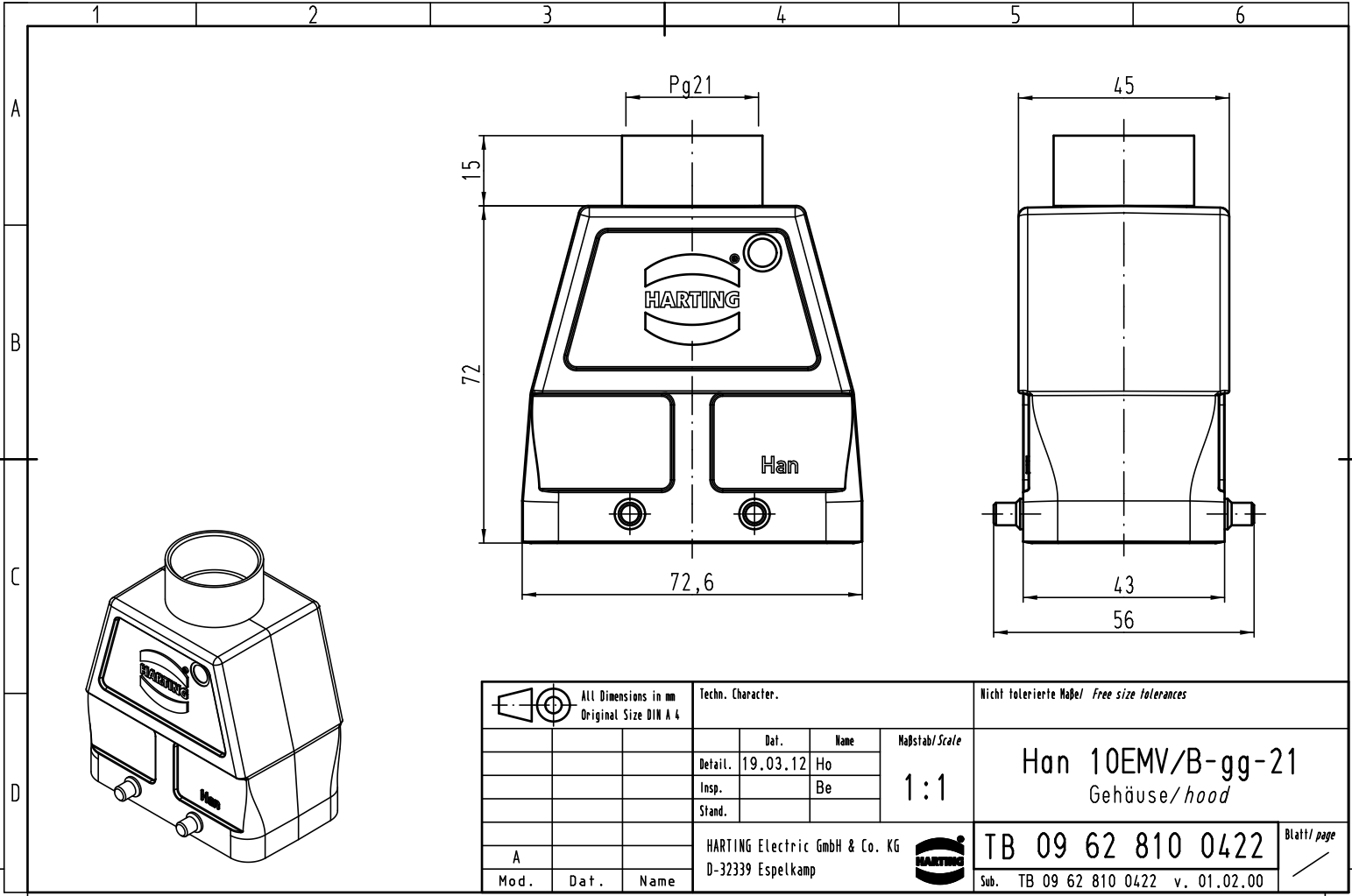
Stocking Distributor

Click to view price, real time Inventory, Delivery & Lifecycle Information:

[Harting](#)
[09628100422](#)

For any questions, you can email us directly:
sales@integrated-circuit.com

Alle Rechte vorbehalten/ All rights reserved



All Dimensions in mm Original Size DIN A 4			Techn. Character.			Nicht tolerierte Maße! Free size tolerances			
						Han 10EMV/B-gg-21 Gehäuse/hood			
			Detail.	19.03.12	Ho				Maßstab/Scale 1:1
			Insp.		Be				
			Stand.						
A			HARTING Electric GmbH & Co. KG				TB 09 62 810 0422		Blatt/ page /
Mod.	Dat.	Name	D-32339 Espelkamp				Sub. TB 09 62 810 0422 v. 01.02.00		