

Excellent Integrated System Limited

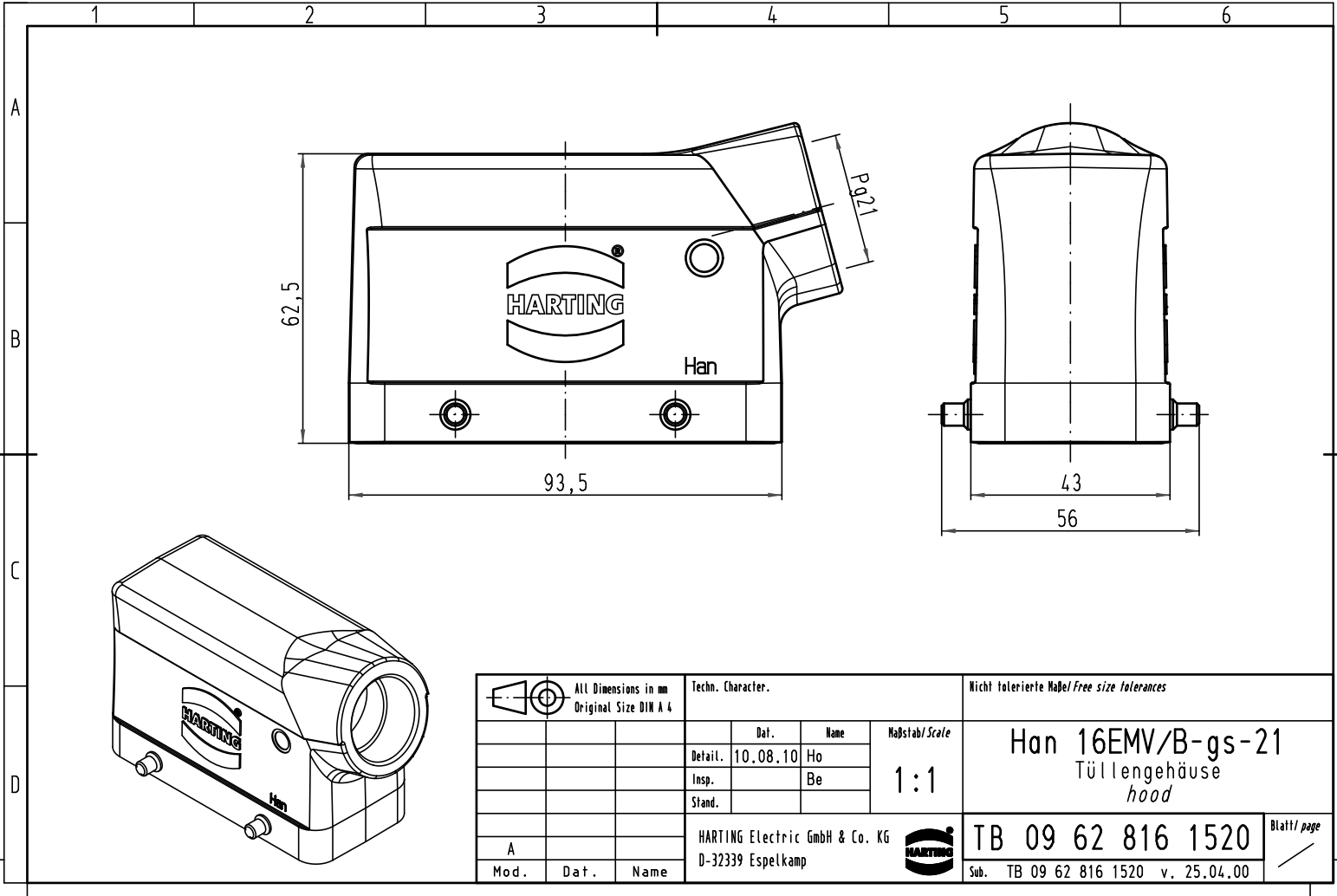
Stocking Distributor



Click to view price, real time Inventory, Delivery & Lifecycle Information:

[Harting](#)
[09628161520](#)

For any questions, you can email us directly:
sales@integrated-circuit.com

Alle Rechte vorbehalten/ All rights reserved



| | | | | | | | | |
|--|------|------|---|------------|----------------------|---|--|--|
|  All Dimensions in mm Original Size DIN A 4 | | | Techn. Character. | | | Nicht tolerierte Maß/Free size tolerances | | |
| | | | Dat. 10.08.10 | Name Ho | Maßstab/Scale 1:1 | Han 16EMV/B-gs-21 Tüllengehäuse hood | | |
| | | | Insp. Be | | | | | |
| | | | Stand. | | | | | |
| A | | | HARTING Electric GmbH & Co. KG D-32339 Espelkamp | | | TB 09 62 816 1520 | | |
| Mod. | Dat. | Name |  | | | Blatt/ page Sub. TB 09 62 816 1520 v. 25.04.00 | | |