



**Distributor of Harting: Excellent Integrated System Limited**

Datasheet of 09642227230 - D-Sub Connector Plug, Male Pins 15 Position Through Hole Solder

Contact us: [sales@integrated-circuit.com](mailto:sales@integrated-circuit.com) Website: [www.integrated-circuit.com](http://www.integrated-circuit.com)

---

## **Excellent Integrated System Limited**

Stocking Distributor

Click to view price, real time Inventory, Delivery & Lifecycle Information:

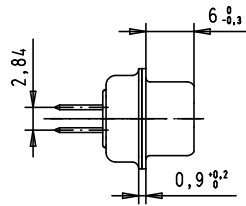
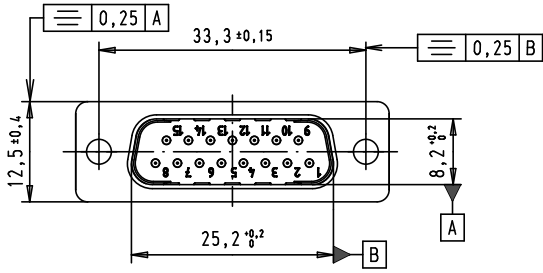
[Harting](#)

[09642227230](#)

For any questions, you can email us directly:

[sales@integrated-circuit.com](mailto:sales@integrated-circuit.com)

D  
C  
B  
A

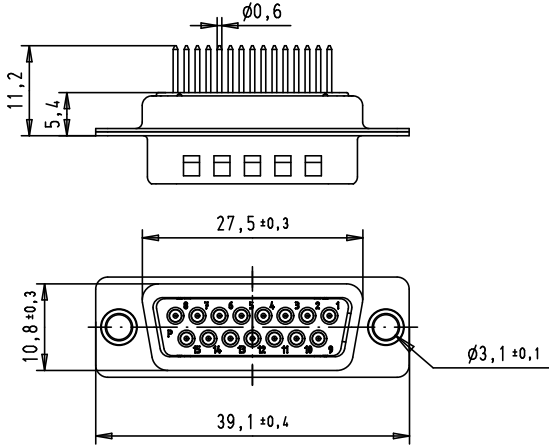


SPECIFICATION: C Filter

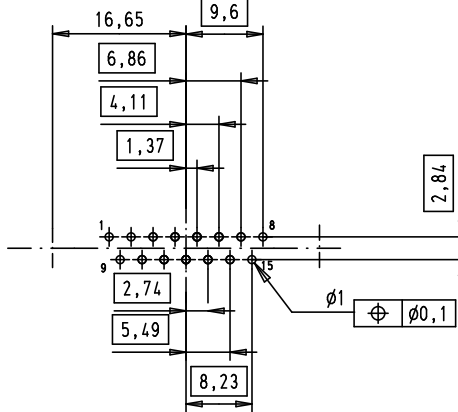
Performance level	PL2
Capacitance	1000pf±20%
Working Voltage	100v
Current Rating	7.5A
Insulation Resistance	>1GΩ


Minimum insertion loss

FREQUENCY (MHz)	ATTENUATION (dB)
5	1dB
10	3dB
50	12dB
100	20dB
500	34dB
1000	30dB



PCB Layout Component side



Mod.	Det.	Name	Mod.	Det.	Name	D-Sub, male, straight, 15 Poles, with turned solder pin and hole		Mo/Scale
			Detail.	8-JUL-02	CV	 All Dim. in mm Orig. Size DIN A 4	TB 09642227230 Sub.	1.5:1  Blatt/ Page 1 / 1
36283	09/12/11	SD	Insp.	09/12/11	JB			
31570	07/11/03	AF	Stand.					
			HARTING EURL F-95972 Paris					