



Distributor of Harting: Excellent Integrated System Limited

Datasheet of 09642227247 - D-Sub Connector Plug, Male Pins 15 Position Through Hole Solder

Contact us: sales@integrated-circuit.com Website: www.integrated-circuit.com

Excellent Integrated System Limited

Stocking Distributor

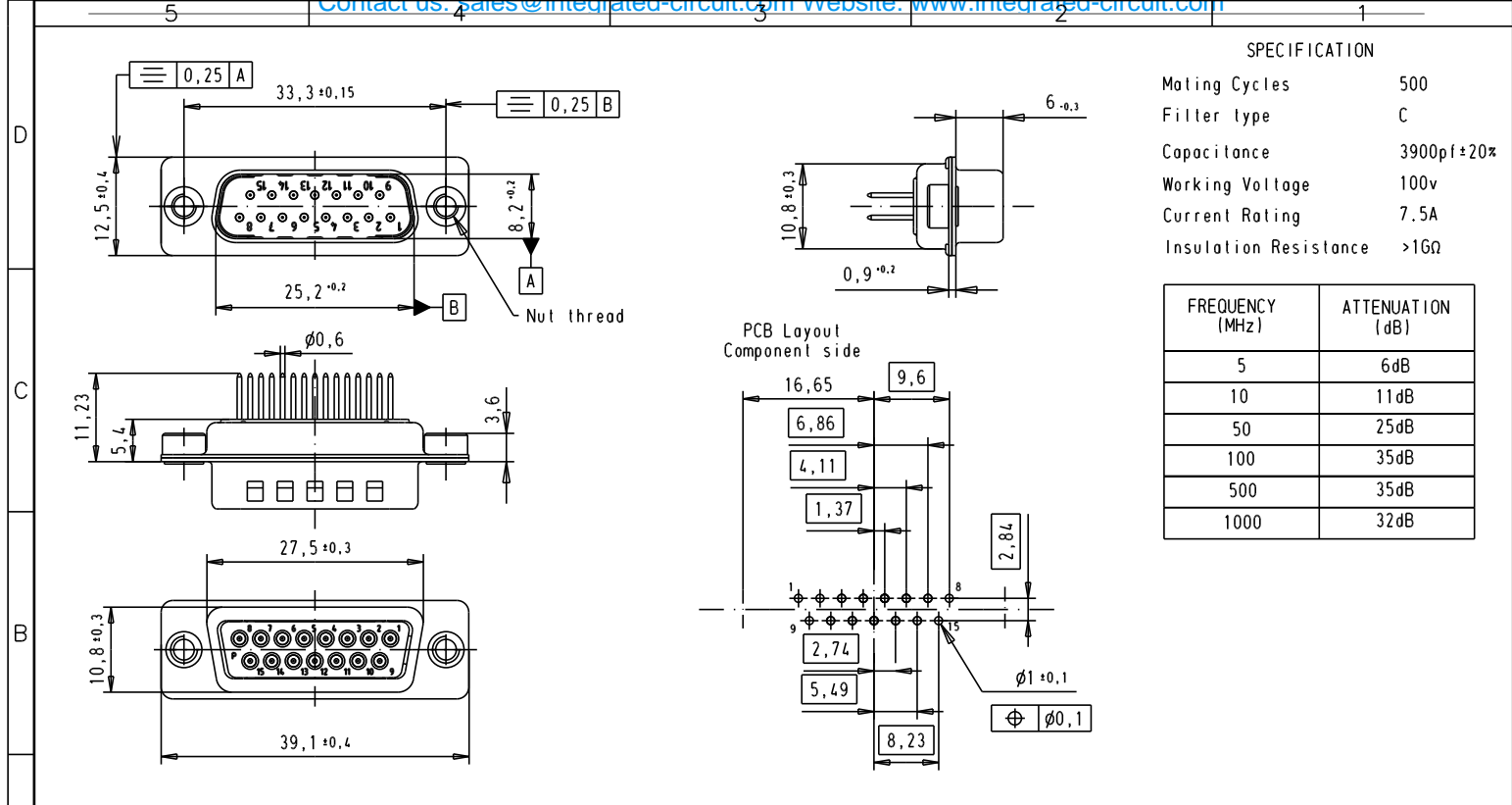
Click to view price, real time Inventory, Delivery & Lifecycle Information:

[Harting](#)

[09642227247](#)

For any questions, you can email us directly:

sales@integrated-circuit.com



SPECIFICATION

Mating Cycles	500
Filter type	C
Capacitance	3900pF±20%
Working Voltage	100v
Current Rating	7.5A
Insulation Resistance	>1GΩ

FREQUENCY (MHz)	ATTENUATION (dB)
5	6dB
10	11dB
50	25dB
100	35dB
500	35dB
1000	32dB

						Dat.		Name		D-Sub, male, straight, 15 Poles, turned solder pins, tin plated shell with dimples and clinch nuts		Ma?Mstab/Scale
						Detail.		8-JUL-02		CV		1.5:1
						Insp.						
						Stand.						
09642227248		M3		33267		17/11/05		JMDR				TB 0964222724x
09642227247		UNC 4-40		31058		8-JUL-02		CV				
Part number		Nut thread		Mod.		Dat.		Name				
						HARTING EURL F-95972 Paris						3/3