



Distributor of Harting: Excellent Integrated System Limited

Datasheet of 09643217248 - D-Sub Connector Plug, Male Pins 25 Position Free Hanging (In-Line) Solder Cup

Contact us: sales@integrated-circuit.com Website: www.integrated-circuit.com

Excellent Integrated System Limited

Stocking Distributor

Click to view price, real time Inventory, Delivery & Lifecycle Information:

[Harting](#)

[09643217248](#)

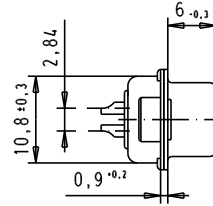
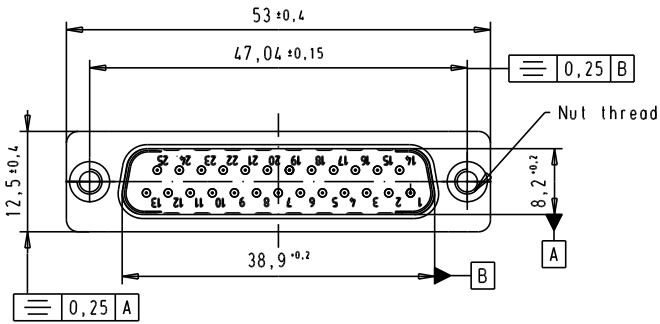
For any questions, you can email us directly:

sales@integrated-circuit.com

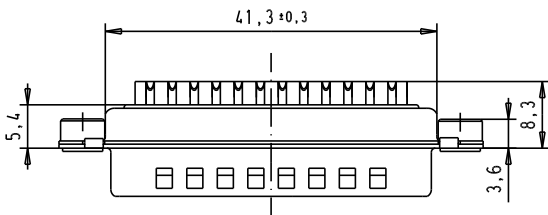
SPECIFICATION

Mating Cycles	500
Filter type	C
Capacitance	3900pF±20%
Working Voltage	100v
Current Rating	7.5A
Insulation Resistance	>1GΩ

FREQUENCY (MHz)	ATTENUATION (dB)
5	6dB
10	11dB
50	25dB
100	35dB
500	35dB
1000	32dB



Solder bucket for AWG 20



						<table border="1"> <tr> <td>Detail.</td> <td>Dat.</td> <td>Name</td> </tr> <tr> <td>Insp.</td> <td>8-JUL-02</td> <td>CV</td> </tr> <tr> <td>Stand.</td> <td></td> <td></td> </tr> </table>		Detail.	Dat.	Name	Insp.	8-JUL-02	CV	Stand.			<p>All Dim. in mm Orig. Size DIN A 4</p>	<p>D-Sub, male, Straight 25 Poles, turned solder buckets, tin plated shell with dimples and clinch nuts</p>	<p>Mis/Scale/ 1.5:1</p>
Detail.	Dat.	Name																	
Insp.	8-JUL-02	CV																	
Stand.																			
09643217248	M3	33423	06/02/06	JMDR	<p>HARTING EURL F-95972 Paris</p>	<p>TB 0964321724x</p>	<p>Blatt/ Page 1 / 1</p>												
09643217247	UNC 4-40	31058	8-JUL-02	CV				Sub.											
Part number	Nut thread	Mod.	Dat.	Name															