



Distributor of Harting: Excellent Integrated System Limited

Datasheet of 09651676813 - D-Sub Connector Plug, Male Pins 9 Position Through Hole, Right Angle Solder

Contact us: sales@integrated-circuit.com Website: www.integrated-circuit.com

Excellent Integrated System Limited

Stocking Distributor

Click to view price, real time Inventory, Delivery & Lifecycle Information:

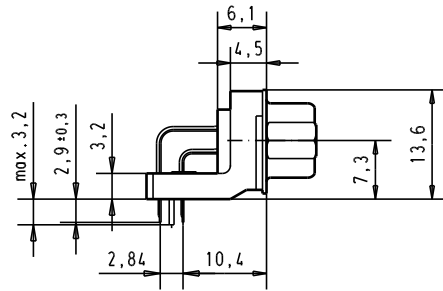
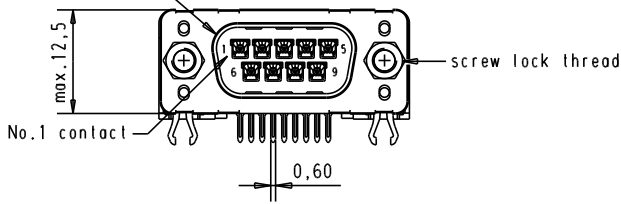
[Harting](#)

[09651676813](#)

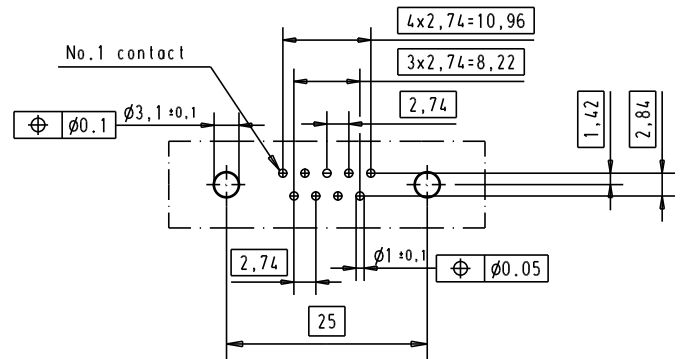
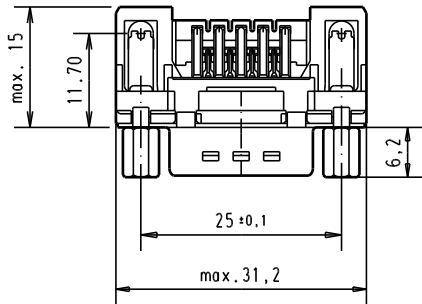
For any questions, you can email us directly:

sales@integrated-circuit.com



Mating face according to : MIL-C-24308 / DIN 41652 / CECC 75301-802



Printed board layout component side



Connector retention and insertion forces on the PCB = 25 / 80 newtons

09 65 167 3833	M3	1					Det.	Name	 D-Sub, high temperature, male, standard, 09 poles, with solder pins 2.9, screw lock, and grounding board lock	Maßstab/ Scale 1.5:1
09 65 167 6833	M3	2				Detail.	04/09/02	YT		
09 65 167 7833	M3	3				Insp.				
09 65 167 3813	4-40 UNC	1				Stand.				
09 65 167 6813	4-40 UNC	2	31892	22/04/04	JH					
09 65 167 7813	4-40 UNC	3	31084	04/09/02	YT				 TB 0965167x8x3	Blatt/ Page 1/
Part number	Screw lock thread	Performance level	Mod.	Det.	Name	HARTING EURL F-95972 Paris				