



Distributor of Harting: Excellent Integrated System Limited

Datasheet of 09652236803 - D-Sub Connector Plug, Male Pins 15 Position Through Hole, Right Angle Solder

Contact us: sales@integrated-circuit.com Website: www.integrated-circuit.com

Excellent Integrated System Limited

Stocking Distributor

Click to view price, real time Inventory, Delivery & Lifecycle Information:

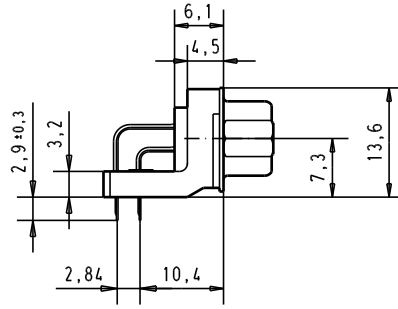
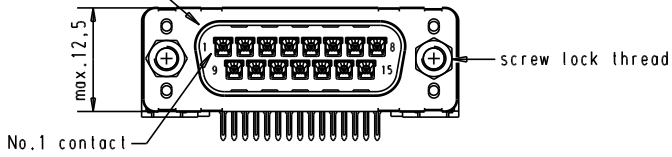
[Harting](#)

[09652236803](#)

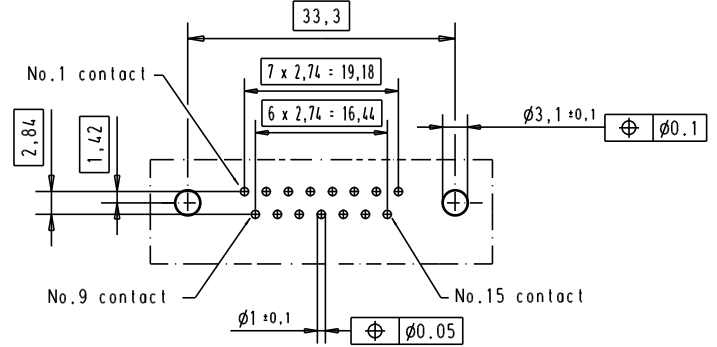
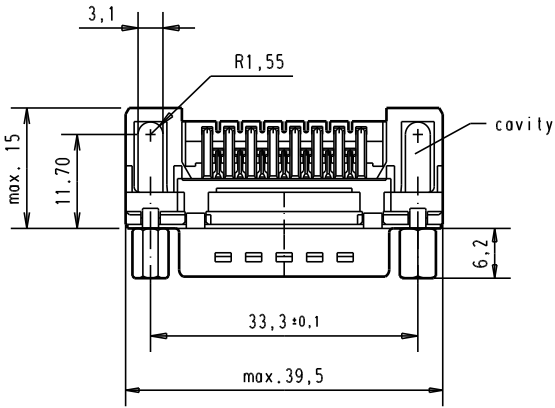
For any questions, you can email us directly:



sales@integrated-circuit.com

Mating face according to : MIL-C-24308 / DIN 41652 / CECC 75301-802



Printed board layout component side



						Del.	Name	 All Dim. in mm Orig. Size DIN A 4	D-Sub, male, standard angle, 15 Poles, with solder pins, screw lock and hole	Maßstab/ Scale 1.5:1
						Detail.	ALSPACE			
						Insp.				
09 65 223 3803	4-40 UNC	1	31892	22/04/04	JH	Stand.			TB 0965223x80x	Blatt / Page 3 /
09 65 223 6803	4-40 UNC	2	29773	18-APR-02	CV					
09 65 223 7803	4-40 UNC	3	29689	02/07/01	AA					
Part number	Screw lock thread	Performance level	Mod.	Del.	Name	HARTING EURL F-95972 Paris				