



**Distributor of Harting: Excellent Integrated System Limited**

Datasheet of 09661226803 - D-Sub Connector Plug, Male Pins 9 Position Through Hole, Right Angle Solder

Contact us: [sales@integrated-circuit.com](mailto:sales@integrated-circuit.com) Website: [www.integrated-circuit.com](http://www.integrated-circuit.com)

---

## **Excellent Integrated System Limited**

Stocking Distributor

Click to view price, real time Inventory, Delivery & Lifecycle Information:

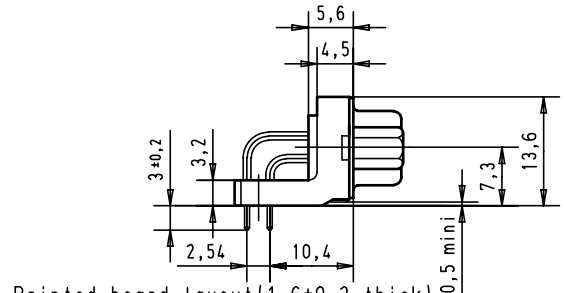
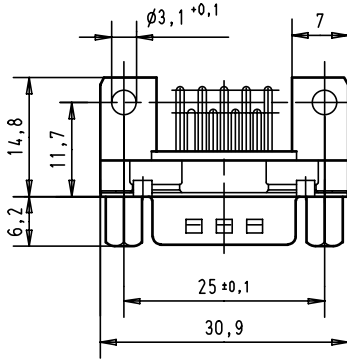
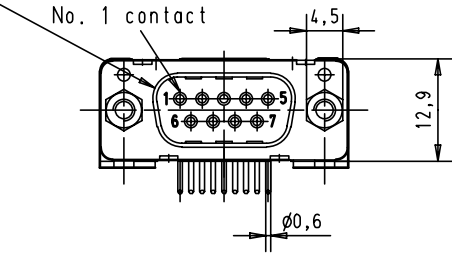
[Harting](#)

[09661226803](#)

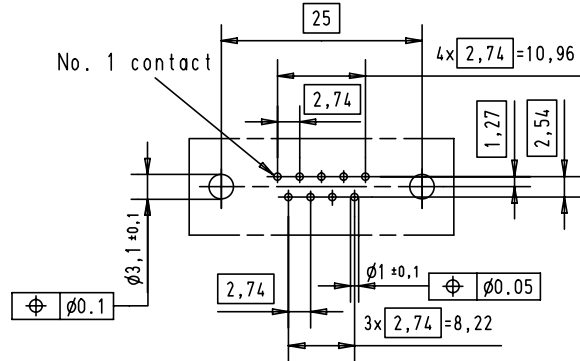
For any questions, you can email us directly:

[sales@integrated-circuit.com](mailto:sales@integrated-circuit.com)

Mating face according to MIL-C-24308 / DIN 41 652 / CECC 75301-802



Printed board layout (1,6 ± 0,2 thick)  
View component side  
(PCB plating = Tin)



					Det.	Name	 All Dim. in mm Orig. Size DIN A 4	D-Sub male standard 9 poles with solder pins and screw-lock	Maßstab/ Scale 1,5:1	
					Detail.	23-NOV-01				JB
					Insp.					
					Stand.					
09 66 122 6803	4-40 UNC	2			HARTING EURL F-95972 Paris			<b>TB 09 66 122 X80X</b>	Blatt/ Page 3	
09 66 122 7803	4-40 UNC	3								
09 66 122 5803	4-40 UNC	0,76 $\mu$ m Au	29733	23-NOV-01						JB
Part number	screw-lock	Performance level	Mod.	Det.	Name	Sub.				