



Distributor of Harting: Excellent Integrated System Limited

Datasheet of 09661626815 - D-Sub Connector Plug, Male Pins 9 Position Through Hole, Right Angle Solder

Contact us: sales@integrated-circuit.com Website: www.integrated-circuit.com

Excellent Integrated System Limited

Stocking Distributor

Click to view price, real time Inventory, Delivery & Lifecycle Information:

[Harting](#)

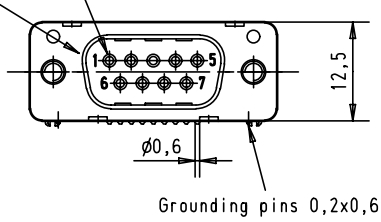
[09661626815](#)

For any questions, you can email us directly:

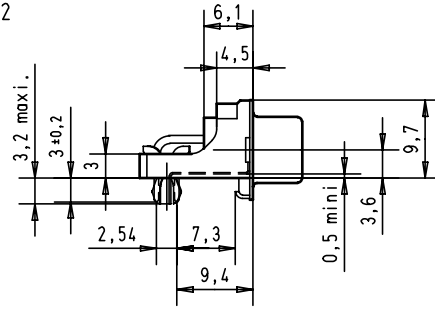
sales@integrated-circuit.com

Mating face according to MIL-C-24308 / DIN 41 652 / CECC 75301-802

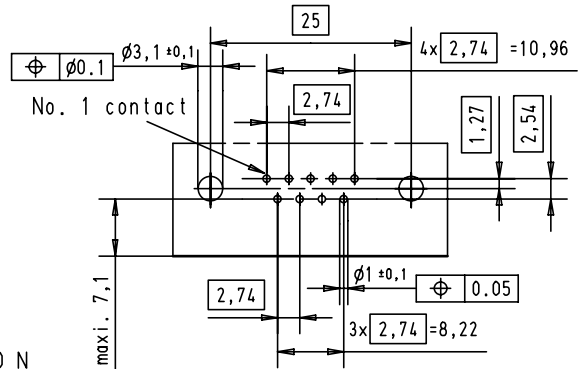
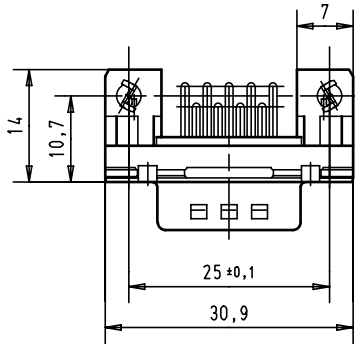
No. 1 contact



Grounding pins 0,2x0,6



Printed board layout (1,6±0,2 thick)
View component side
(PCB plating = Tin)



Mounting force on Printed board : 25 - 80 N

09 66 162 6815	M3	2				Det.	Name	 All Dim. in mm Orig. Size DIN A 4	D-Sub male low profile 9 poles with solder pins, nuts, board lock and grounding pins	Maßstab/ Scale 1,5:1
09 66 162 7815	M3	3			Detail.	23-NOV-01	JB			
09 66 162 5815	M3	0,76 µm Au			Insp.					
09 66 162 6816	4-40 UNC	2			Stand.					
09 66 162 7816	4-40 UNC	3	29749	14-FEB-02	JB	HARTING EURL F-95972 Paris			TB 09 66 162 X81x	Blatt/ Page 4
09 66 162 5816	4-40 UNC	0,76 µm Au	29733	23-NOV-01	JB					
Part number	nut thread	Performance level	Mod.	Det.	Name	Sub.				