



**Distributor of Harting: Excellent Integrated System Limited**

Datasheet of 09661626817 - D-Sub Connector Plug, Male Pins 9 Position Through Hole, Right Angle Solder

Contact us: [sales@integrated-circuit.com](mailto:sales@integrated-circuit.com) Website: [www.integrated-circuit.com](http://www.integrated-circuit.com)

---

## **Excellent Integrated System Limited**

Stocking Distributor

Click to view price, real time Inventory, Delivery & Lifecycle Information:

[Harting](#)

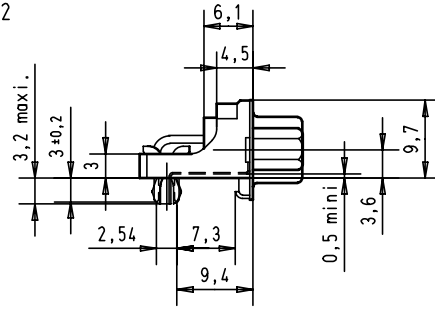
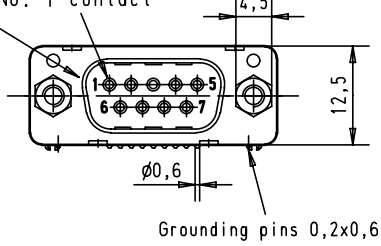
[09661626817](#)

For any questions, you can email us directly:

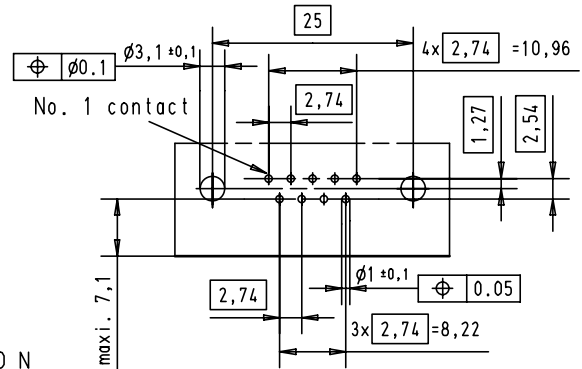
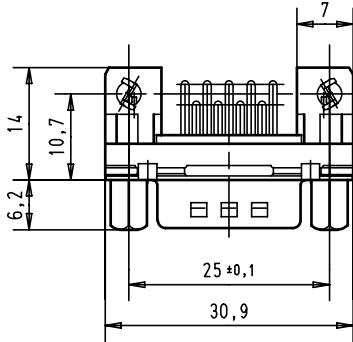
[sales@integrated-circuit.com](mailto:sales@integrated-circuit.com)

Mating face according to MIL-C-24308 / DIN 41 652 / CECC 75301-802



No. 1 contact



Printed board layout (1,6±0,2 thick)  
View component side  
(PCB plating = Tin)



Mounting force on Printed board : 25 - 80 N

						Det.	Name	 All Dim. in mm Orig. Size DIN A 4	D-Sub male low profile 9 poles with solder pins, screw-lock, board lock and grounding pins	Maßstab/ Scale  1,5:1	
						Detail.	23-NOV-01				JB
						Insp.					
						Stand.					
09 66 162 6817	4-40 UNC	2									
09 66 162 7817	4-40 UNC	3	29749	14-FEB-02	JB						
09 66 162 5817	4-40 UNC	0,76 µm Au	29733	23-NOV-01	JB						
Part number	screw-lock	Performance level	Mod.	Det.	Name	HARTING EURL F-95972 Paris			TB 09 66 162 X81x Sub.	Blatt/ Page 5	