



Distributor of Harting: Excellent Integrated System Limited

Datasheet of 09661636813 - D-Sub Connector Plug, Male Pins 9 Position Through Hole, Right Angle Solder

Contact us: sales@integrated-circuit.com Website: www.integrated-circuit.com

Excellent Integrated System Limited

Stocking Distributor

Click to view price, real time Inventory, Delivery & Lifecycle Information:

[Harting](#)

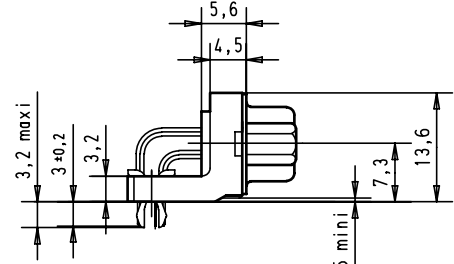
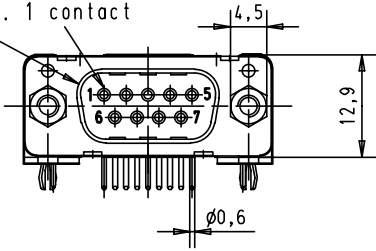
[09661636813](#)

For any questions, you can email us directly:

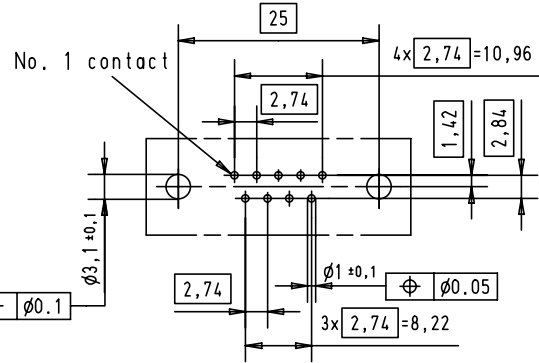
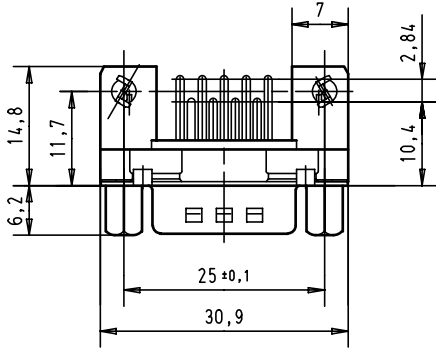
sales@integrated-circuit.com

Mating face according to MIL-C-24308 / DIN 41 652 / CECC 75301-802

No. 1 contact



Printed board layout (1,6±0,2 thick)
View component side
(PCB plating = Tin)



Mounting force on Printed board : 25 - 80 N

					Det.	Name	 All Dim. in mm Orig. Size DIN A 4	D-Sub male standard 9 poles with solder pins, screw-lock, board lock and grounding pins	Maßstab/ Scale	
					Detail.	26-OCT-01			JB	1,5:1
					Insp.					
09 66 163 6813	4-40 UNC	2			Stand.					
09 66 163 7813	4-40 UNC	3			HARTING EURL F-95972 Paris			TB 09 66 163 X81X	Blatt/ Page 3	
09 66 163 5813	4-40 UNC	0,76 µm Au	29725	26-OCT-01						JB
Part number	screw-lock	Performance level	Mod.	Det.	Name	Sub.				