



**Distributor of Harting: Excellent Integrated System Limited**

Datasheet of 09662536611 - D-Sub Connector Receptacle, Female Sockets 15 Position  
Through Hole, Right Angle Solder

Contact us: [sales@integrated-circuit.com](mailto:sales@integrated-circuit.com) Website: [www.integrated-circuit.com](http://www.integrated-circuit.com)

---

## **Excellent Integrated System Limited**

Stocking Distributor

Click to view price, real time Inventory, Delivery & Lifecycle Information:

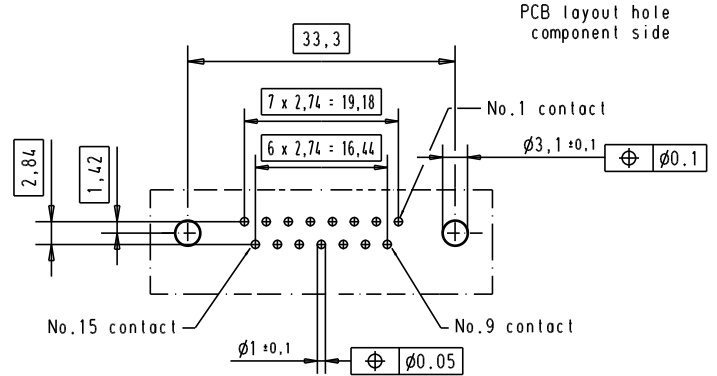
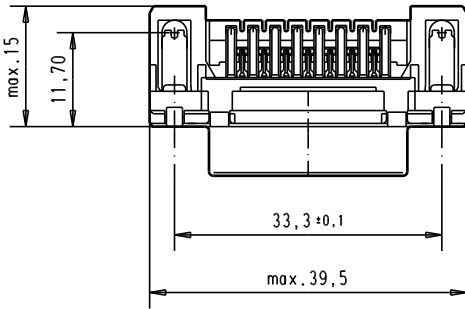
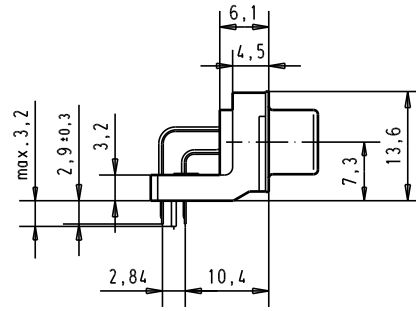
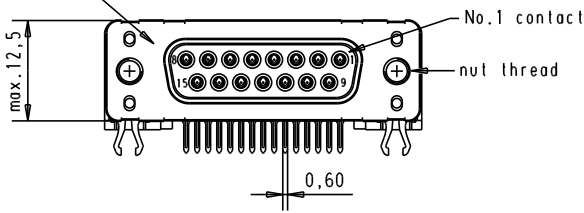
[Harting](#)

[09662536611](#)

For any questions, you can email us directly:



[sales@integrated-circuit.com](mailto:sales@integrated-circuit.com)

Mating face according to : MIL-C-24308 / DIN 41652 / CECC 75301-802



PCB layout hole component side

Connector retention and insertion forces on the PCB = 25 / 80 newtons

A	09 66 253 3611	M 3	1				Del.	Name	 All Dim. in mm Orig. Size DIN A 4	D-Sub 15 poles standard angle female, solder pin with nut and grounding board lock. Maßstab/Scale 1.5:1
	09 66 253 6611	M 3	2				Detail.	ALSPACE		
	09 66 253 7611	M 3	3				Insp.			
	09 66 253 3612	4-40 UNC	1	31892	05/05/04	JH	Stand.			
	09 66 253 6612	4-40 UNC	2	31084	04/SEP/02	YT				
09 66 253 7612	4-40 UNC	3	27960	07/dec/00	ALSPACE			HARTING EURL F-95972 Paris 	TB 0966253x61x Blatt/ Page 2	
Part number	Nut thread	Performance level	Mod.	Del.	Name	Sub.				