



Distributor of Harting: Excellent Integrated System Limited

Datasheet of 09662566617 - D-Sub Connector Receptacle, Female Sockets 15 Position
Through Hole, Right Angle Solder

Contact us: sales@integrated-circuit.com Website: www.integrated-circuit.com

Excellent Integrated System Limited

Stocking Distributor

Click to view price, real time Inventory, Delivery & Lifecycle Information:

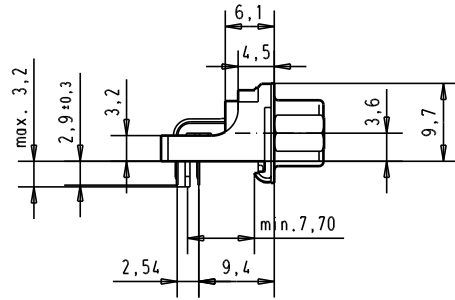
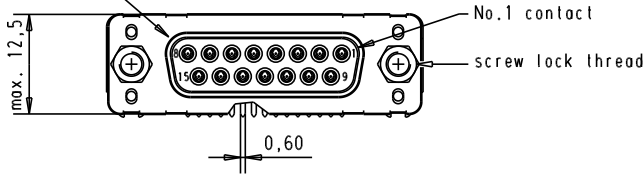
[Harting](#)

[09662566617](#)

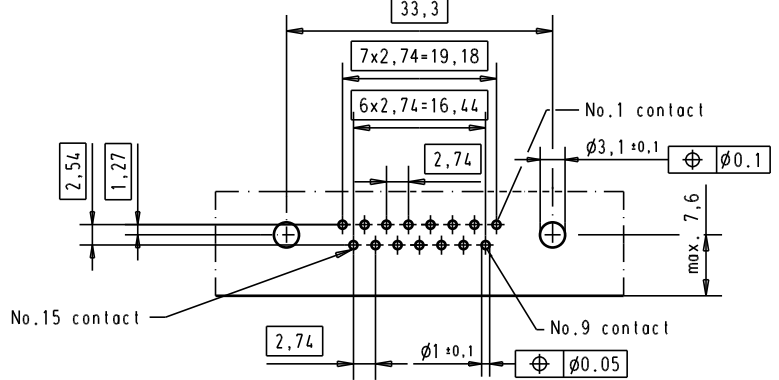
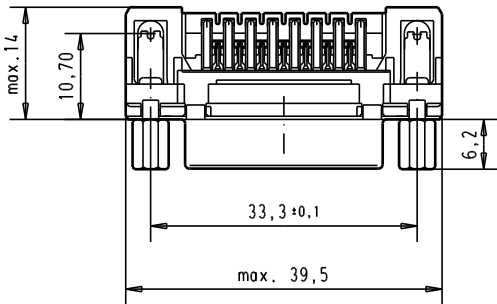
For any questions, you can email us directly:

sales@integrated-circuit.com



Mating face according to : MIL-C-24308 / DIN 41652 / CECC 75301-802



Printed board layout component side



Connector retention and insertion forces on the PCB = 25 / 80 newtons

						Det.	Name	 All Dim. in mm Orig. Size DIN A 4	D-Sub, high temperature, female, low profil, 15 poles with solder pins 2.9, screw lock and grounding board lock.	Maßstab/ Scale 1.5:1
						Detail.				
						Insp.				
09 66 256 3617	4-40 UNC	1							TB 0966256x61x	Blatt/ Page 3 /
09 66 256 6617	4-40 UNC	2	31892	05/05/04	JH	HARTING EURL F-95972 Paris				
09 66 256 7617	4-40 UNC	3	29723	05/03/02	CV					
Part number	Screw lock thread	Performance level	Mod.	Det.	Name			Sub.		