

Excellent Integrated System Limited

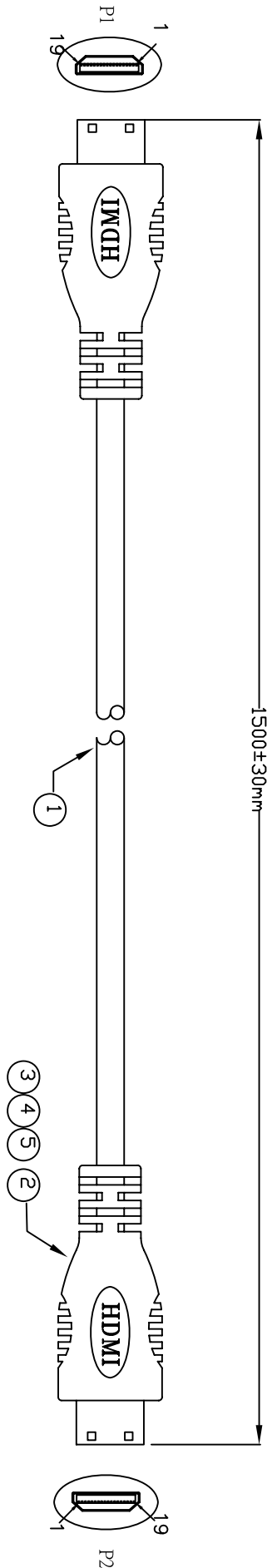
Stocking Distributor

Click to view price, real time Inventory, Delivery & Lifecycle Information:

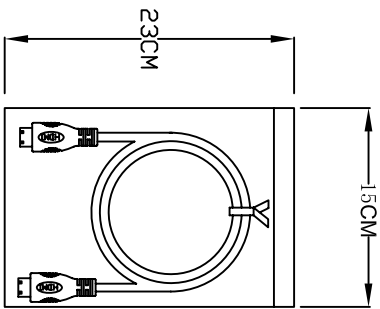
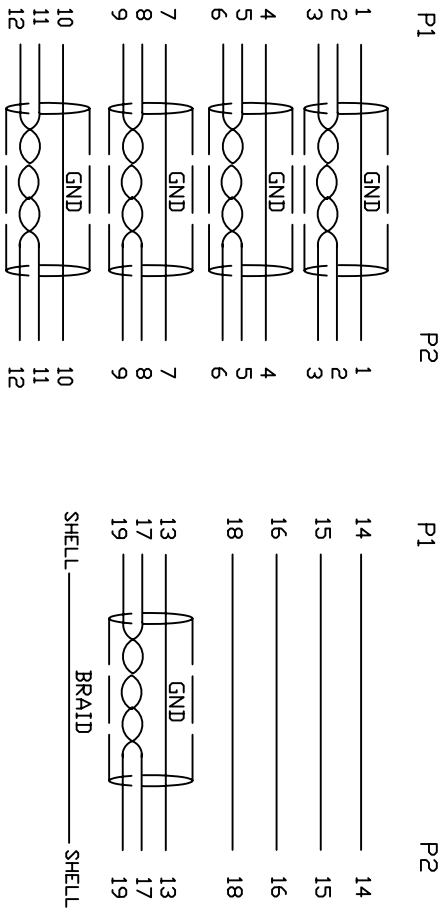
[CNC Tech](#)
[742-20010-00150](#)

For any questions, you can email us directly:

sales@integrated-circuit.com



1. Wiring Diagram.



2. Cable test condition :

- Open / Short : 100%
- Insulation resistance : 5M ohms
- Contact resistance : 2 ohm
- Hipot : DC 300V / 1 sec

3. Each pcs with PE polybag.

5	CUPPER	W/20MM*1.35MM	1	
4	PVC	45P PVC BLACK OVERMOLD	2±g	
3	PE	LLDPE 500026 6201 INSIDE MOLDING	16g	
2	CONN	HDMI C TYPE MALE PIN G/F ,SHELL PLATED NICKEL, INSULATION BLACK	2	P1,P2
1	CABLE	UL20276 (30AWG (7/0.1TS) *P+EA+AL/MY) *5+30AWG (7/0.1TS) *#C +AEM(16/6/0.12AM) OD6.0 BLACK	1	1500mm
NO.	PART NO.	DESCRIPTION	QTY	UNIT/REF
BILL OF MATERIAL				

A	INITIAL RELEASE	2015/10/10
REV#	DESCRIPTION	DATE
Cnc Tech,LLC		
DRAWN	DATE	TITLE
EDWIN LA	10/10/15	HDMI C/M TO HDMI C/M CABLE
CHECKED	DATE	DWN NO.
Win C	10/10/15	742-20010-00150
APPROVAL		CUSTOMER P/N:
		CUSTOMER:
		SHEET 1 OF 1

