



Distributor of Molex Connector Corporation: Excellent Integrated System Limited
Datasheet of 1051330011 - Connector Receptacle USB micro B 5 Position Surface Mount
Vertical

Contact us: sales@integrated-circuit.com Website: www.integrated-circuit.com

Excellent Integrated System Limited

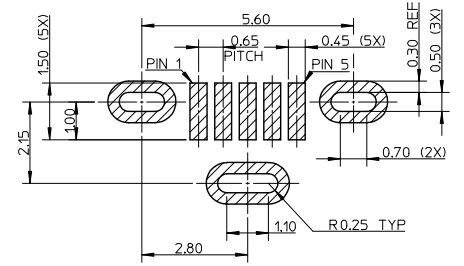
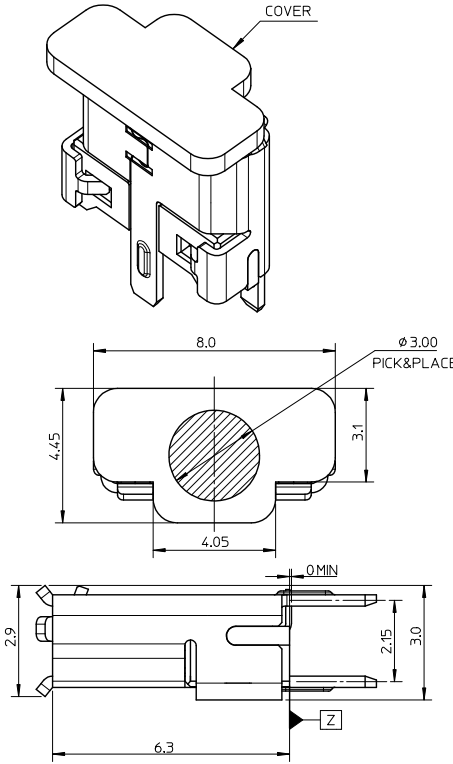
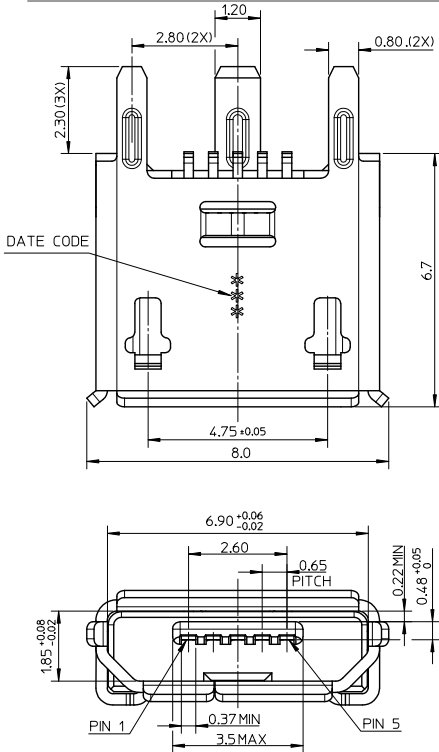
Stocking Distributor

Click to view price, real time Inventory, Delivery & Lifecycle Information:

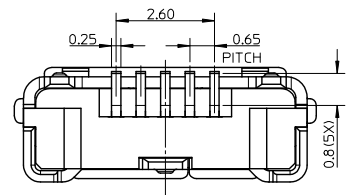
[Molex Connector Corporation](#)
[1051330011](#)

For any questions, you can email us directly:
sales@integrated-circuit.com

Contact us: sales@integrated-circuit.com Website: www.integrated-circuit.com



RECOMMENDED PCB LAYOUT (THICKNESS=1.6mm)
GENERAL TOLERANCE: ±0.05



PIN	NAME
5	GND
4	ID
3	D+
2	D-
1	VBUS

- NOTES:
- MATERIAL:
HOUSING & COVER: HIGH TEMPERATURE THERMOPLASTIC, BLACK, UL94V-0,
TERMINAL: COPPER ALLOY, THICKNESS: 0.15mm,
SHELL: STAINLESS STEEL, THICKNESS: 0.30mm.
 - PLATING:
TERMINAL: CONTACT AREA: GOLD FLASH OVER MINIMUM 0.75 MICRON Pd/Ni,
SOLDER TAIL AREA: GOLD FLASH,
UNDER PLATING: NICKEL 2.0 MICROMN MINIMUM.
SHELL: MATTE TIN 1.27 MICRON MINIMUM,
UNDER PLATING: NICKEL 1.27 MICRON MINIMUM.
 - TAIL COPLANARITY 0.08mm MAXIMUM.
 - PRODUCT SPECIFICATION: PS-105133-001.
 - PACKAGE SPECIFICATION: PK-105133-001.
 - COMPLIANT TO RoHS DIRECTIVE 2002/95/EC AND ELV 2000/53/EC.

REVISE PS INFORMATION		QUALITY SYMBOLS	GENERAL TOLERANCES (UNLESS SPECIFIED)		DIMENSION STYLE		SCALE	DESIGN UNITS	THIRD ANGLE PROJECTION	
REV	DESCRIPTION		mm	INCH	MM ONLY	DATE				
B	EC NO: SH2014-0449 DRAWN: XQZHANG 2014/03/18 CHECKED: XQZHANG 2014/04/24 APPROVED: AYIN 2014/06/06	√=0 ∇=0 ∇=0	4 PLACES ± --- ± --- 3 PLACES ± --- ± --- 2 PLACES ± 0.20 ± --- 1 PLACE ± 0.25 ± --- 0 PLACE ± --- ± ---	mm	INCH	DRAWN BY XQZHANG CHECKED BY XQZHANG APPROVED BY AYIN	DATE 2012/05/07 DATE 2012/05/07 DATE 2012/06/22	1:1	METRIC	THIRD ANGLE PROJECTION
DRAFT WHERE APPLICABLE WITHIN DIMENSIONS			ANGULAR ± 3°		MATERIAL NO. 105133-0011		DOCUMENT NO. SD-105133-011		SHEET NO. 1 OF 1	

SALES DRAWING
FOR USB, MICRO-B
VERTICAL TYPE

molex

THIS DRAWING CONTAINS INFORMATION THAT IS PROPRIETARY TO MOLEX INCORPORATED AND SHOULD NOT BE USED WITHOUT WRITTEN PERMISSION