

Excellent Integrated System Limited

Stocking Distributor

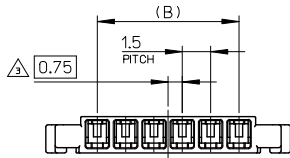
Click to view price, real time Inventory, Delivery & Lifecycle Information:

[Molex Connector Corporation](#)
[5040510401](#)

For any questions, you can email us directly:

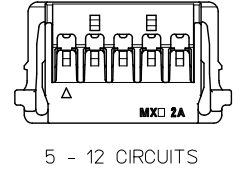
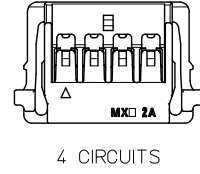
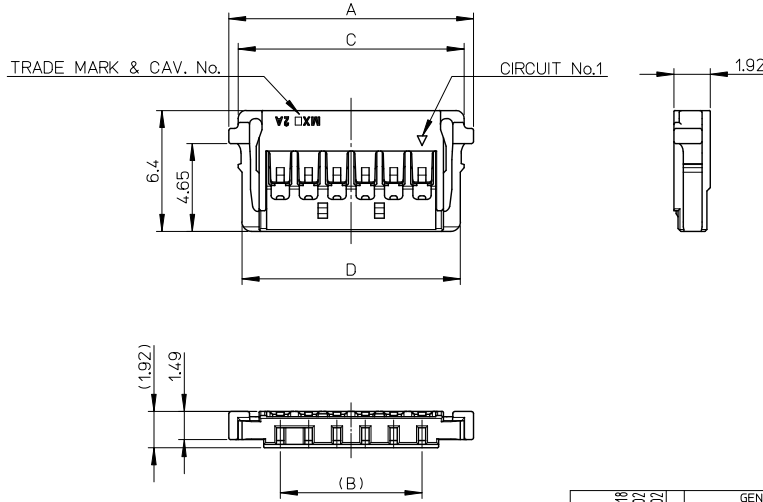
sales@integrated-circuit.com

10 9 8 7 6 5 4 3 2 1



- NOTES.
1. 嵌合相手: 504050****
MATE WITH: 504050****
 2. 適合ターミナル: 504052****
APPLICABLE TERMINAL: 504052****
 - △ 偶数極に適用
APPLY EVEN CIRCUIT PRODUCTS.
 4. 材質
MATERIAL
耐熱性樹脂 UL94-V0 BLACK
HEATPROOF RESIN UL94-V0 BLACK
 5. ELV及びRoHS適合品
ELV AND RoHS COMPLIANT.

NUMBER of LOCK ⑥



20.55	20.95	16.5	21.95	5040511201	12
17.55	17.95	13.5	18.95	5040511001	10
14.55	14.95	10.5	15.95	5040510801	8
13.05	13.45	9.0	14.45	5040510701	7
11.55	11.95	7.5	12.95	5040510601	6
10.05	10.45	6.0	11.45	5040510501	5
8.55	8.95	4.5	9.95	5040510401	4
D	C	B	A	ORDER No.	CIRCUIT

REVISED IEC NO.: J2016-0297 TDRWN: TAKA KE 2015/09/18 CHKD: KASAKAWA 2015/10/02 APPR: NUKITA 2015/10/02	GENERAL TOLERANCES (UNLESS SPECIFIED)		DIMENSION STYLE		SCALE	DESIGN UNITS	THIRD ANGLE PROJECTION
	0.25 UNDER	±0.03	MM ONLY		5:1	METRIC	◎ □
	0.25 OVER 0.5 UNDER	±0.05	DRAWN BY DATE		1.5 WIRE TO BOARD CONN. R/A H=2MM REC CRIMP HOUSING molex		
	0.5 OVER 1.0 UNDER	±0.1	THANYU 2012/03/29				
1.0 OVER 3.0 UNDER	±0.2	CHECKED BY DATE					
3.0 OVER	±0.3	KASAKAWA 2012/03/29					
ANGULAR	±3 °	APPROVED BY DATE		MATERIAL NO.		DOCUMENT NO.	SHEET NO.
DRAFT WHERE APPLICABLE MUST REMAIN WITHIN DIMENSIONS		SEE CHART		Y01TO 2012/04/18		SD-504051-001	1 OF 1

10 9 8 7 6 5 4 3 2 1