

Excellent Integrated System Limited

Stocking Distributor

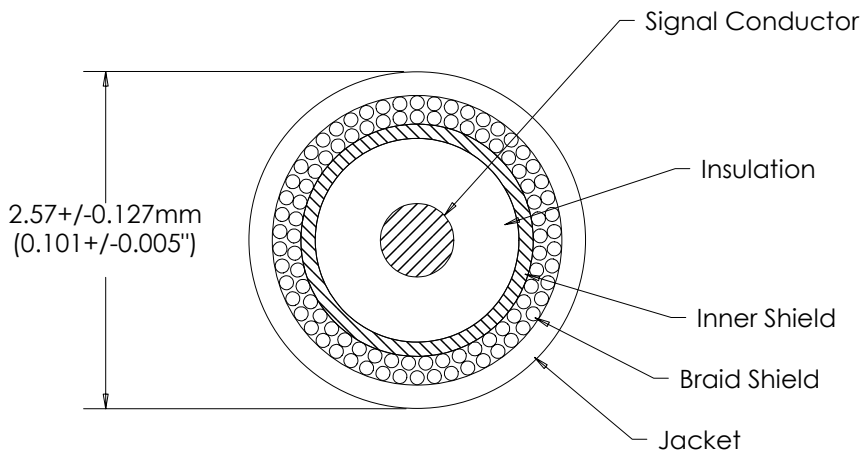
Click to view price, real time Inventory, Delivery & Lifecycle Information:

[Molex Connector Corporation](#)
[086SC-2401](#)

For any questions, you can email us directly:

sales@integrated-circuit.com

	TITLE	PART No.	REV	PAGE
	Low Loss Microwave Coax, 24 AWG	086SC-2401	10	1 of 1



CONSTRUCTION

Signal Conductor: 0.0201" +/- 0.0002" (0.51 +/- 0.0051 mm), Silver Plated Copper per ASTM B-298
 Insulation: FEP per applicable paragraph MIL-DTL-17, 0.065" +/- 0.001" (1.65 +/- 0.0256mm) OD
 Inner Shield: Helically Overlapped Flat Silver Plated Copper per ASTM B-298
 Braid Shield: 40 AWG Silver Plated Copper per ASTM B-298, >90% Coverage
 Overall Shield Diameter: 0.085" +/- 0.002 (2.18 +/- 0.05mm)
 Jacket: FEP in accordance with MIL-DTL-17, Type IX
 Wall Thickness: 0.008" (0.19mm)
 Color: Blue

ELECTRICAL

Impedance: 50 +/- 1 ohms
 Velocity Of Propagation: 70% Ref.
 Capacitance: 29 pF/ft (95 pF/m) Ref.

GENERAL

Temperature Rating: -65C to 165C
 Static Bend Radius: 0.3" (7.6mm)
 Dynamic Bend Radius: 0.6" (15mm)
 Weight: 13 lbs/1000ft

Freq (GHz)	Attenuation (dB/100 ft)	Avg Power (W)
0.5	16	168
1	24	117
2	34	80
4	48	55
8	70	37
12	88	32
18	111	23



This document is the property of TEMP-FLEX. It may not be disclosed, reproduced, or otherwise used without permission.	Rev	DCR	Description	App'd	Date
	9	3333	Braid Shield P/N Change.	KP	4/2/13
	9	3429	Remove Patent # from General Notes.	J Sanyal	7/8/13
	10	4036	Update Respool Requirements.	KP	9/25/14