

## Excellent Integrated System Limited

Stocking Distributor

Click to view price, real time Inventory, Delivery & Lifecycle Information:

[Mill-Max](#)

[3403-0-00-15-00-00-03-0](#)

For any questions, you can email us directly:

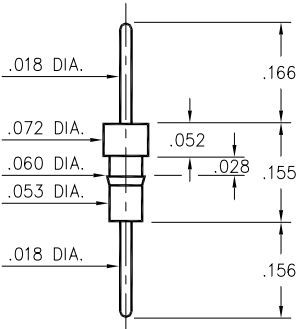
[sales@integrated-circuit.com](mailto:sales@integrated-circuit.com)



**PRINTED CIRCUIT PINS**



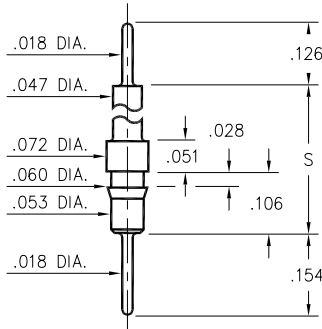
**0504/0505**



Basic Part Number	Pin Material
0504-0	Ph Br. 544
0505-0	Brass 360

**050X-0-00-XX-00-00-03-0**  
Press-fit in .057 mounting hole

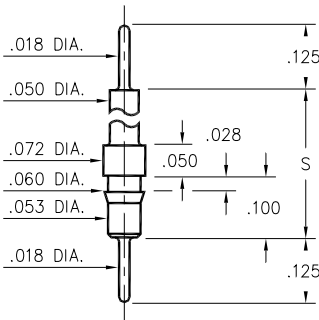
**5510/5511**



Basic Part Number	Standoff Height S
5510-0	.331
5511-0	.606

**551X-0-00-XX-00-00-03-0**  
Press-fit in .057 mounting hole

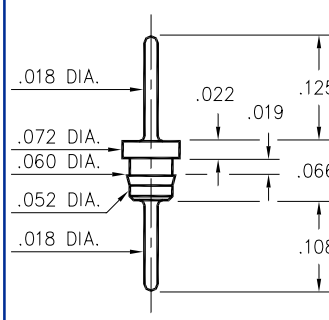
**4259**



Basic Part Number	Standoff Height S
4259-1	.210
4259-2	.335
4259-3	.585
4259-4	.835

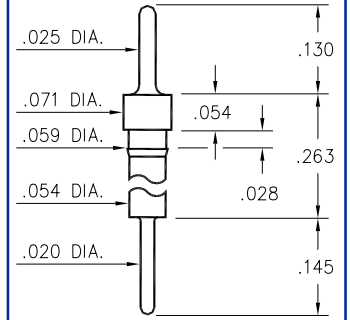
**4259-X-00-XX-00-00-03-0**  
Press-fit in .057 mounting hole

**3516**



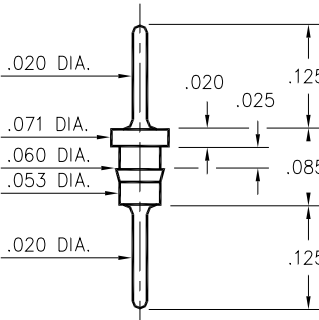
**3516-0-00-XX-00-00-03-0**  
Press-fit in .057 mounting hole

**8859**



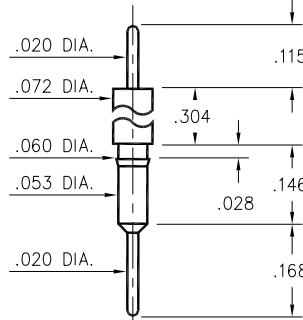
**8859-0-00-XX-00-00-03-0**  
Press-fit in .056 mounting hole

**6585**



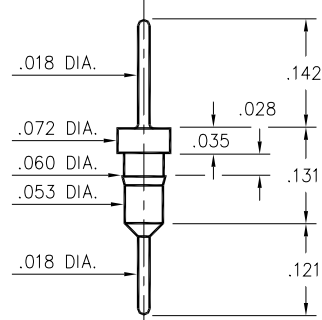
**6585-0-00-XX-00-00-03-0**  
Press-fit in .057 mounting hole  
Pin material is Ph Br 544 (B2)

**3403**



**3403-0-00-XX-00-00-03-0**  
Press-fit in .057 mounting hole

**3404**



**3404-0-00-XX-00-00-03-0**  
Press-fit in .057 mounting hole

**SPECIFICATIONS**

**PIN MATERIAL:**  
Brass Alloy 360, 1/2 Hard  
(Except where noted)

**DIMENSION IN INCHES**  
**TOLERANCES ON:**  
LENGTHS: ±.005  
DIAMETERS: ±.002  
ANGLES: ± 2°

**ORDER CODE: XXXX - X - 00 - XX - 00 - 00 - 03 - 0**

**BASIC PART #** →

**SPECIFY PIN FINISH:**  
**01** 200µ" TIN/LEAD OVER NICKEL  
**15** 10µ" GOLD OVER NICKEL  
**21** 20µ" GOLD OVER NICKEL  
**34** 50µ" GOLD OVER NICKEL