

Excellent Integrated System Limited

Stocking Distributor

Click to view price, real time Inventory, Delivery & Lifecycle Information:

[STMicroelectronics](#)
[STEF033PUR](#)

For any questions, you can email us directly:

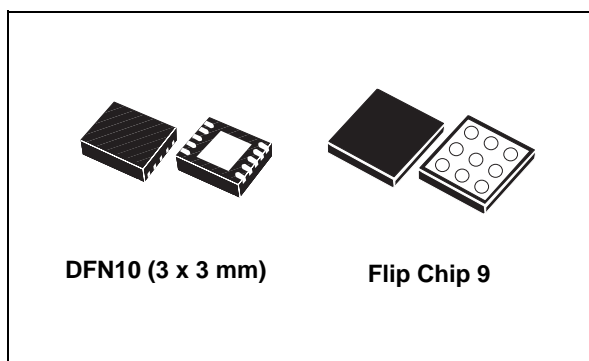
sales@integrated-circuit.com



STEF033

Electronic fuse for 3.3 V line

Datasheet - production data



Features

- Continuous current typ.: 3.6 A (DFN), 2.5 A (Flip Chip)
- N-channel on resistance (typ): 40 mΩ (DFN), 25 mΩ (Flip Chip)
- Enable/Fault functions
- Output clamp voltage (typ): 4.5 V
- Undervoltage lockout
- Short-circuit limit
- Overload current limit
- Controlled output voltage ramp
- Thermal latch (typ): 160 °C
- Uses tiny capacitors
- Latching and auto-retry versions
- Operative junction temp. - 40 °C to 125 °C
- Available in DFN10 3x3 and Flip Chip 9 bumps

Applications

- Hard disk drives
- Solid state drives (SSD)
- Hard disk and SSD arrays
- Computer
- DVD and Blu-Ray disc drivers

Description

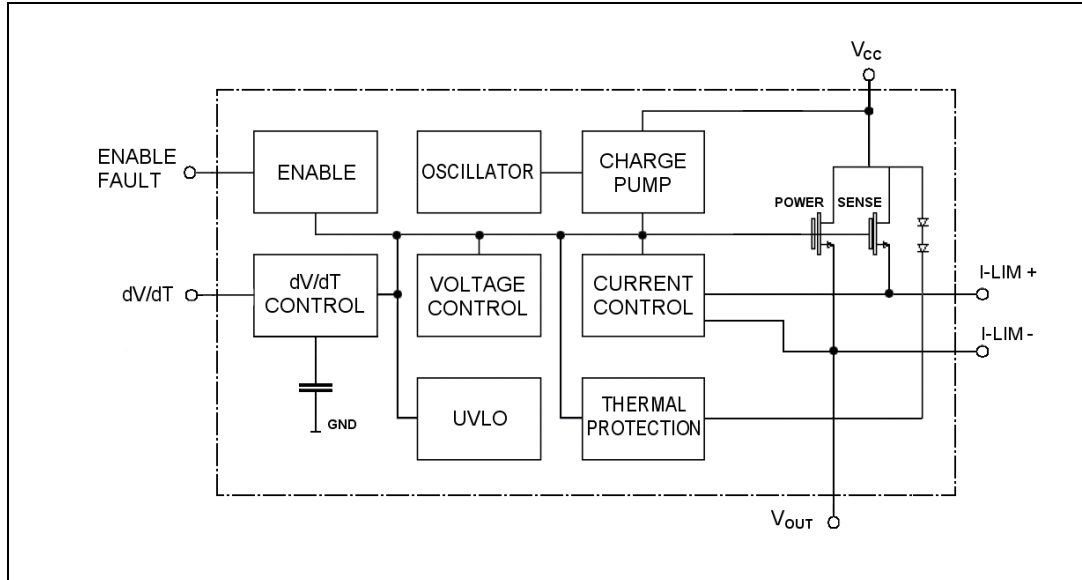
The STEF033 is an integrated electronic fuse optimized for monitoring output current and the input voltage. Connected in series to the 3.3 V rail, it is able to protect the electronic circuitry on its output from overcurrent and overvoltage. The STEF033 has controlled delay and turn-on time. When an overload condition occurs, the device limits the output current to a predefined safe value. If the anomalous overload condition persists, it goes into an open state, disconnecting the load from the power supply. If a continuous short-circuit is present on the board, when the power is re-applied the E-fuse initially limits the output current to a safe value and then goes again into the open state. The voltage clamping circuit prevents the output voltage from exceeding a fixed value, if the input voltage goes beyond this threshold. The device is equipped with a thermal protection circuit. Intervention of thermal protection is signaled to the board-monitoring circuits through an appropriate signal on the Fault pin. Unlike mechanical fuses, which must be physically replaced after a single event, the E-fuse does not degrade in its performances following short-circuit/thermal protection intervention and is reset either by re-cycling the supply voltage or using the appropriate Enable pin. The STEF033 is also available in an auto-retry version; in case of thermal fault it automatically attempts to re-apply power to the load when the die temperature returns to a safe value.

Contents

1	Device block diagram	3
2	Pin configuration	4
3	Maximum ratings	5
4	Electrical Characteristics	7
5	Typical application	9
5.1	Operating modes	9
5.1.1	Turn-on	9
5.1.2	Normal operating condition	10
5.1.3	Output voltage clamp	10
5.1.4	Current limiting	10
5.1.5	Thermal shutdown and Auto-retry function	10
5.2	R_{Limit} calculation	10
5.3	$C_{dv/dt}$ calculation	11
5.4	Enable-Fault pin	11
6	Typical performance characteristics	13
7	Package information	16
7.1	DFN10 (3 x 3 mm) package information	17
7.2	QFNxx/DFNxx (3x3 mm) packing information	20
7.3	Flip Chip 9 package information	21
8	Order codes	23
9	Revision history	24

1 Device block diagram

Figure 1. STEF033 block diagram



2 Pin configuration

Figure 2. Pin configuration (top view)

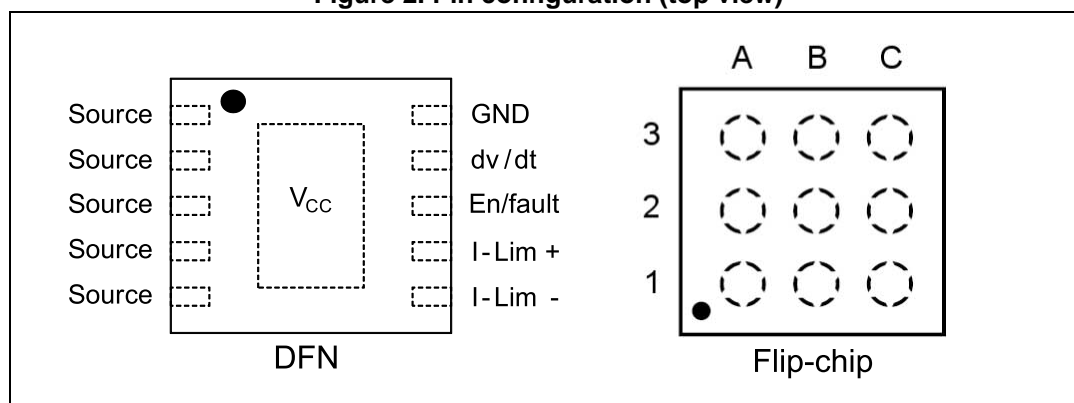


Table 1. Pin description

Pin n° (DFN)	Pin n° (Flip Chip)	Symbol	Note
1,2,3,4,5	C1,C2,C3	V _{OUT} /Source	Connected to the source of the internal power MOSFET and to the output terminal of the fuse
6	N.C.	I-lim -	A resistor between these two pins sets the overload and short-circuit current limit levels. On the Flip Chip the resistor must be connected between the I-Lim+ and Source pins
7	A1	I-lim +	
8	A2	En/Fault	The Enable/Fault pin is a tri-state, bi-directional interface. During normal operation the pin must be left floating, or it can be used to disable the output of the device by pulling it to ground using an open drain or open collector device. If a thermal fault occurs, the voltage on this pin goes into an intermediate state to signal a monitor circuit that the device is in thermal shutdown. It can be connected to another device of this family to cause a simultaneous shutdown during thermal events.
9	N.C.	dv/dt	The internal dv/dt circuit controls the slew rate of the output voltage at turn-on. The internal capacitor allows a ramp-up time of around 1.4 ms. An external capacitor can be added to this pin to increase the ramp time. If an additional capacitor is not required, this pin should be left open. This feature is not available on the Flip Chip version.
10	A3	GND	Ground pin
Exposed pad	B1,B2,B3	V _{CC}	Exposed pad. Positive input voltage must be connected to V _{CC} .

3 Maximum ratings

Table 2. Absolute maximum ratings

Symbol	Parameter	Value	Unit
V _{CC}	Positive power supply voltage	- 0.3 to 10	V
V _{OUT/source}	V _{OUT} pin voltage	- 0.3 to 7	V
	V _{OUT} pin voltage (100 ms)	- 0.3 to V _{CC} +0.3	
I-Lim+/I-Lim-	Current limit pin voltage	-0.3 to 7	V
	Current limit pin voltage (100 ms)	- 0.3 to V _{CC} +0.3	
En/Fault	Enable/Fault pin voltage	- 0.3 to 4.6	V
dv/dt	dv/dt pin voltage	- 0.3 to 4.6	V
T _{OP}	Operating junction temperature range ⁽¹⁾	- 40 to 125	°C
T _{STG}	Storage temperature range	- 65 to 150	°C
T _{LEAD}	Lead temperature (soldering) 10 sec	260	°C

1. The thermal limit is set above the maximum thermal rating. It is not recommended to operate the device at temperatures greater than the maximum ratings for extended periods of time.

Note: Absolute maximum ratings are those values beyond which damage to the device may occur. Functional operation under these conditions is not implied.

Table 3. Recommended operating condition

Symbol	Parameter	Value	Unit
V _{CC}	Positive power supply voltage	3.1 to 8	V
R-limit	Current limitation resistor range, STEF033, STEF033A	10 to 120	Ω
	Current limitation resistor range, STEF033J, STEF033JA	15 to 120	
C _{dv/dt}	Soft-start capacitor range	0 to 1	nF
V _{EN}	Enable/Fault pin voltage	0 to 3.6	V

Table 4. Thermal data

Symbol	Parameter	Value	Unit
R _{thJA}	Thermal resistance junction-ambient, DFN10	70	°C/W
	Thermal resistance junction-ambient, Flip Chip	90	
R _{thJC}	Thermal resistance junction-case, DFN10	34	

Maximum ratings

STEF033

Table 5. ESD performance

Symbol	Parameter	Test conditions	Value	Unit
ESD	ESD protection	HBM	4	kV
		MM	400	V
		CDM (DFN10)	500	V
		CDM (Flip Chip)	250	V

STEF033

Electrical Characteristics

4 Electrical Characteristics

$V_{CC} = 3.3\text{ V}$, $C_1 = 10\ \mu\text{F}$, $C_0 = 10\ \mu\text{F}$, $T_J = 25^\circ\text{C}$ (unless otherwise specified)

Table 6. Electrical characteristics for STEF033

Symbol	Parameter	Test conditions	Min.	Typ.	Max.	Unit
Under/Over Voltage Protection						
V_{Clamp}	Output clamping voltage	$V_{CC} = 8\text{ V}$	4	4.5	5	V
V_{UVLO}	Under voltage Lockout	Turn-on, voltage increasing	2.15	2.35	2.5	V
V_{Hyst}	UVLO hysteresis			0.1		V
Power MOSFET						
t_{dly}	Delay time	Enabling of chip to $V_{OUT}=10\%$ of nominal value.		500		μs
R_{DSon}	ON resistance (DFN package) ⁽¹⁾	$I_{OUT} = 500\text{ mA}$, $T_J = 25^\circ\text{C}$		40	60	m Ω
		$I_{OUT} = 500\text{ mA}$, $-40^\circ\text{C} < T_J < 125^\circ\text{C}$			70	
R_{DSon}	ON resistance (Flip Chip package) ⁽¹⁾	$I_{OUT} = 500\text{ mA}$, $T_J = 25^\circ\text{C}$		30	50	m Ω
		$I_{OUT} = 500\text{ mA}$, $-40^\circ\text{C} < T_J < 125^\circ\text{C}$			70	
V_{OFF}	Off State output voltage	$V_{EN}=\text{GND}$, $R_L=\text{infinite}$			100	mV
I_D	Continuous current	DFN package		3.6		A
		Flip Chip package		2.5		
Current limit						
I_{Short}	Short-circuit current limit	$R_{Limit} = 24\ \Omega$	1	1.35	1.75	A
I_{Lim}	Overload current limit	$R_{Limit} = 24\ \Omega$ ⁽²⁾		2.5		A
dv/dt circuit						
dv/dt	Output voltage ramp time	$V_{OUT} = 10\%$ to 90% of nominal voltage, No $C_{dv/dt}$	0.8	1.4	2.5	ms
Enable/Fault						
V_{IL}	Low level input voltage	Output disabled, ⁽²⁾			0.5	V
$V_{I(INT)}$	Intermediate level input voltage	Thermal fault, output disabled ⁽²⁾	0.8	1.4	2	V
V_{IH}	High level input voltage	Output enabled	2.5			V
$V_{I(MAX)}$	High state maximum voltage			3.25		V
I_{IL}	Low level input current (sink)	$V_{Enable} = \text{GND}$		-28	-50	μA
	Maximum fan-out for fault signal	Total number of chips that can be connected to this pin for simultaneous shutdown ⁽²⁾			3	Units

Electrical Characteristics

STEF033

Table 6. Electrical characteristics for STEF033 (continued)

Symbol	Parameter	Test conditions	Min.	Typ.	Max.	Unit
Total device						
I_{Bias}	Bias current	Device operational		0.6	2	mA
		Thermal shutdown (only on latching versions) ⁽²⁾		0.5		
		Device disabled ($V_{EN} = GND$)		0.35		
Thermal latch						
TSD	Shutdown temperature	⁽²⁾		160		°C
	Hysteresis	Only on auto-retry versions ⁽²⁾		25		

1. Pulse test
2. Guaranteed by design, but not tested in production

5 Typical application

Figure 3. Application circuit, STEF033 and STEF033A (DFN10 package)

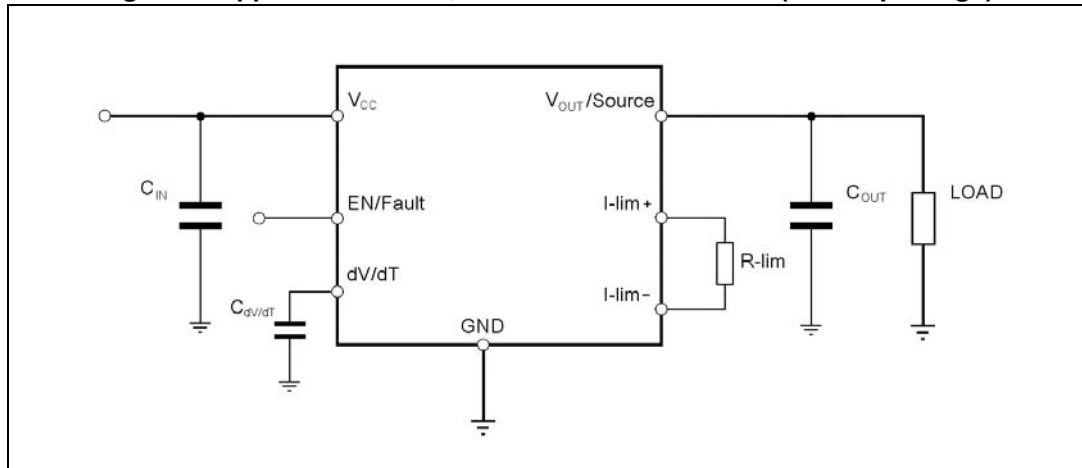
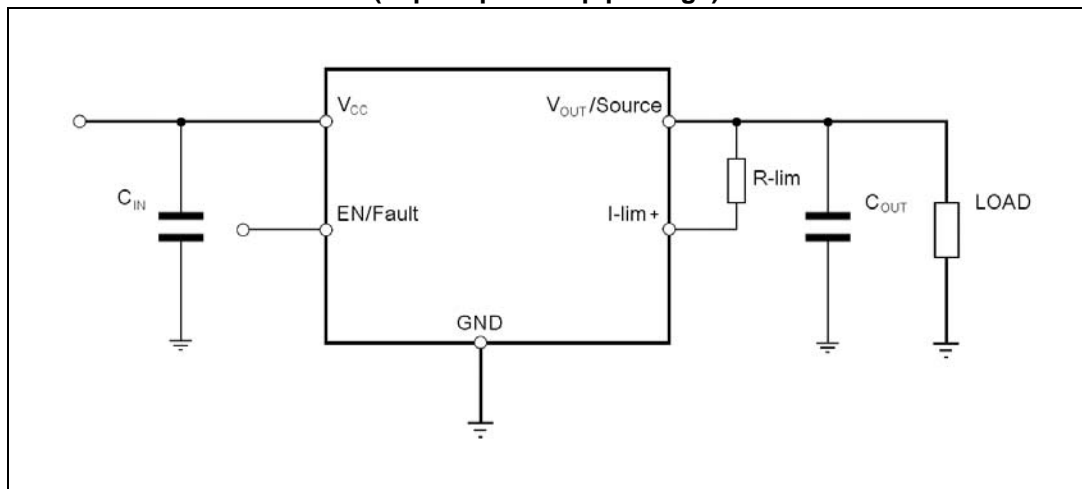


Figure 4. Application circuit with Kelvin current sensing, STEF033J and STEF033JA (Flip Chip 9 bump package)



5.1 Operating modes

5.1.1 Turn-on

When the input voltage is applied, the Enable/Fault pin goes up to the high state, enabling the internal control circuitry.

After an initial delay time of typically 500 ms, the output voltage is supplied with a slope defined by the internal dv/dt circuitry. If no additional capacitor is connected to dv/dt pin, the total time from the Enable signal going high and the output voltage reaching the nominal value is around 1.6 ms (refer to [Figure 5](#), and [Figure 15](#)).

5.1.2 Normal operating condition

The STEF033 E-fuse behaves like a mechanical fuse, buffering the circuitry on its output with the same voltage shown at its input, with a small voltage fall due to the N-channel MOSFET $R_{DS(on)}$.

5.1.3 Output voltage clamp

This internal protection circuit clamps the output voltage to a maximum safe value, typically 4.5 V, if the input voltage exceeds this threshold.

5.1.4 Current limiting

When an overload event occurs, the current limiting circuit reduces the conductivity of the power MOSFET, in order to clamp the output current at the value selected externally by means of the limiting resistor R_{Limit} (Figure 3).

5.1.5 Thermal shutdown and Auto-retry function

If the device temperature exceeds the thermal latch threshold, typically 160 °C, the thermal shutdown circuitry turns the power MOSFET off, thus disconnecting the load. The EN/Fault pin of the device is automatically set to an intermediate voltage, in order to signal the overtemperature event.

The STEF033 latch version can be reset from this condition either by cycling the supply voltage or by pulling down the EN pin below the V_{il} threshold and then releasing it.

On the STEF033A auto-retry version, the power MOSFET will remain in an OFF state until the die temperature drops below the hysteresis value. Once this happens, the internal auto-retry circuit attempts to reset the device, pulling up the EN/Fault pin to the operative value.

5.2 R_{Limit} calculation

As shown in Figure 1 the device uses an internal N-channel Sense FET with a fixed ratio, to monitor the output current and limit it at the level set by the user.

The R_{Limit} value for achieving the requested current limitation can be estimated by using the “Current limit vs R_{Limit} ”, graph in Figure 12.

The device has two levels of current limitation, depending on the load condition.

The short-circuit current limit (I_{Short}) is the current level that is imposed when the output voltage decreases sharply, as in the case of a short-circuit on the output.

The overload current limit (I_{Lim}), also described as “Current limit trip-point”, represents the current level that is recognized by the device as an overload condition. Following this, the current limit trip point is reached the device enters into current limitation, and the current to the load is limited to the I_{Short} value, which is generally lower than the trip-point value.

The overload current limit (I_{Lim}) is dependent on the device reaction time, so it is influenced by the load current slew-rate. The faster the current increase, the higher the current limit trip point.

5.3 C_{dv/dt} calculation

The device includes a rise-time control circuit, allowing the soft-start during turn-on and Hot-plug of the equipment. The pre-programmed rise time, defined as the time interval during which the output voltage goes from 10% to 90% of the nominal voltage, is typically 1.4 ms.

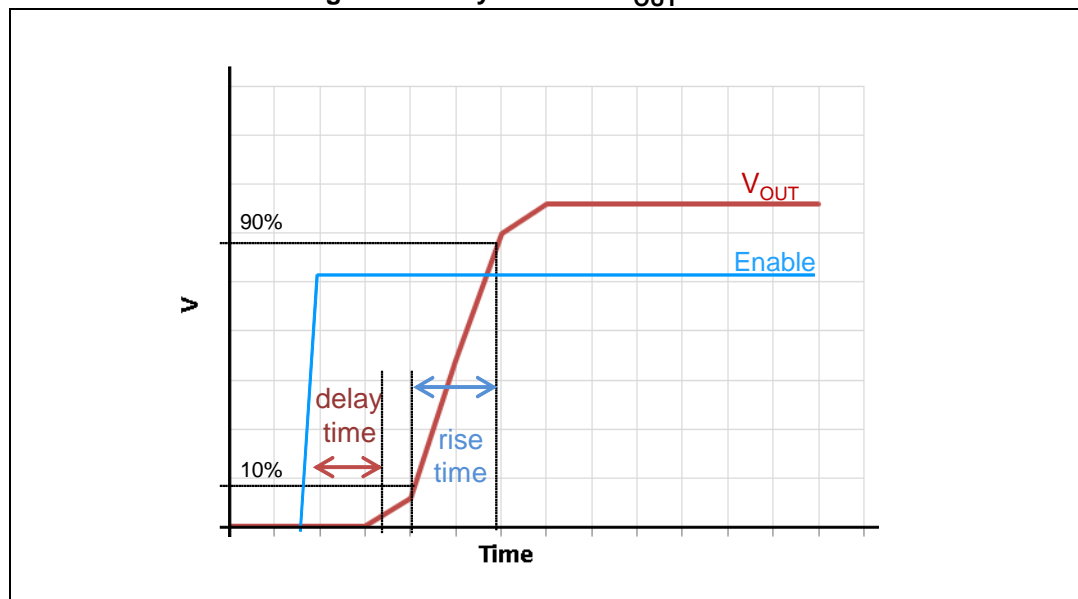
The STEF033 and STEF033A in DFN10 package feature a user-programmable output voltage ramp-up time; by connecting a capacitor between the C_{dv/dt} pin and GND, modification of the output voltage ramp-up time is possible. The capacitance to be added on the C_{dv/dt} pin can be selected using the following table.

Table 7. Typical rise time values vs. dv/dt capacitor

C _{dv/dt}	none	100 pF	470 pF	1 nF
Rise Time ⁽¹⁾ [ms]	1.4	2.8	8	16

1. V_{CC} = 3.3 V, C_{IN} = 10 μF, C_{OUT} = 10 μF, R_{LIMIT} = 24 Ω, I_{OUT} = 1 A

Figure 5. Delay time and V_{OUT} rise time



5.4 Enable-Fault pin

The Enable/Fault pin has the dual function of controlling the output of the device and, at the same time, of providing information about the device status to the application.

It can be connected to an external open-drain or open-collector device. In this case, when it is pulled at low logic level, it will turn the output of the E-Fuse off.

If this pin is left floating, since it has internal pull-up circuitry, the output of the E-Fuse is kept ON in normal operating conditions.

This pin should never be biased to a voltage higher than 3.6 V.

In case of thermal fault, the pin is pulled to an intermediate state (Figure 6). This signal can be provided to a monitor circuit, signaling that a thermal shutdown has occurred, or it can be

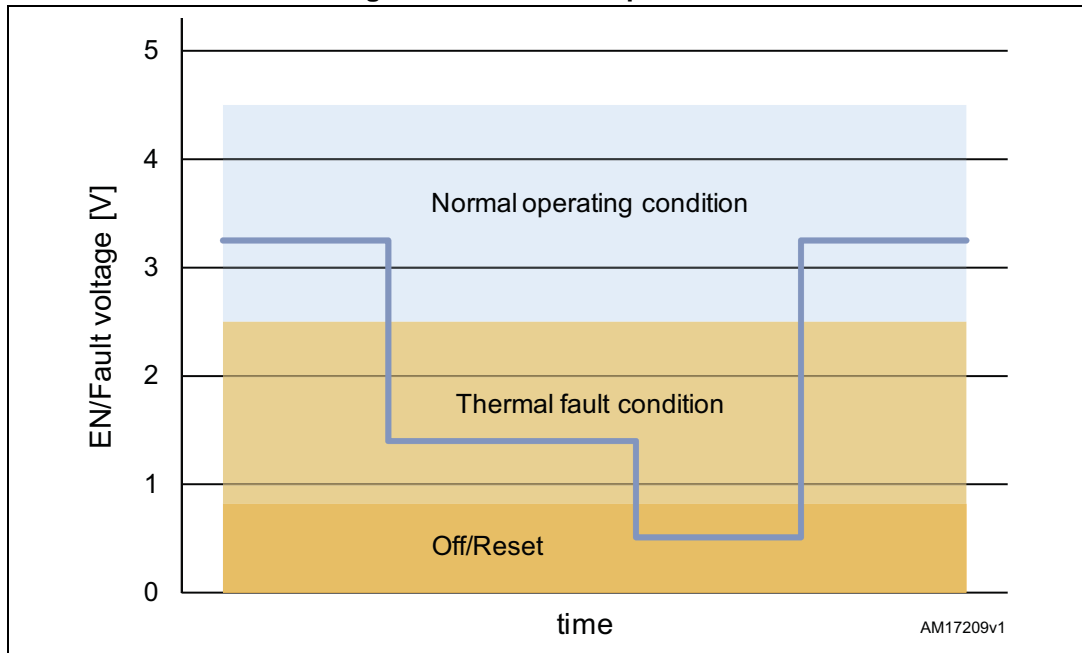
Typical application

STEF033

directly connected to the Enable/Fault pins of other STEFxx devices on the same application, in order to achieve a simultaneous enable/disable feature.

When a thermal fault occurs, the device can be reset either by cycling the supply voltage or by pulling down the Enable pin below the V_{il} threshold and then releasing it.

Figure 6. Enable/Fault pin status

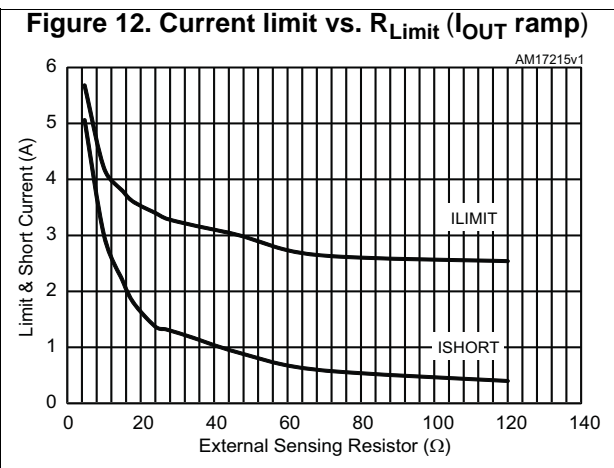
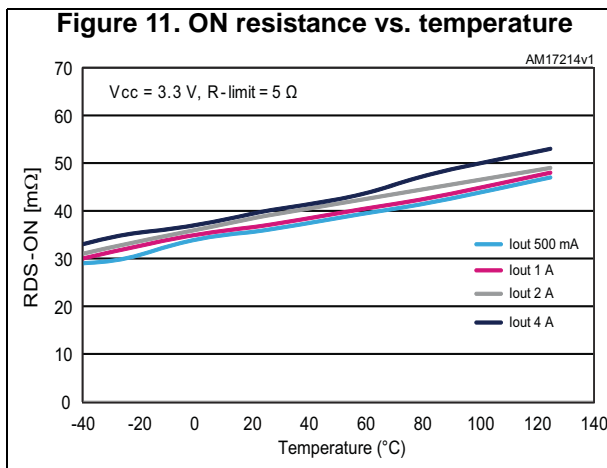
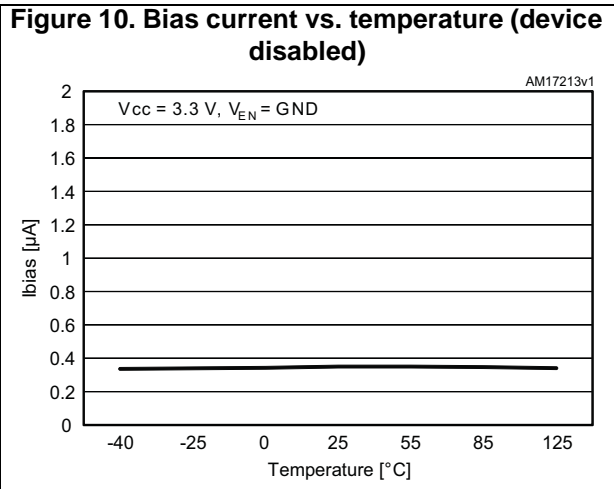
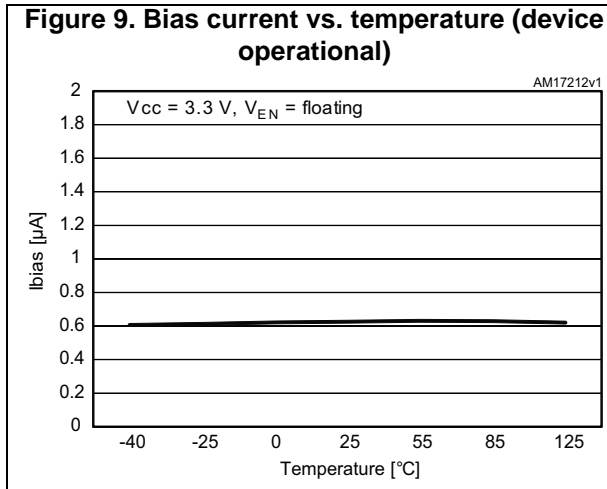
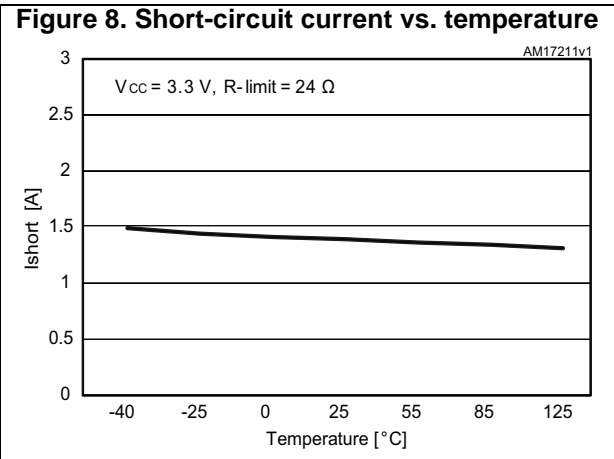
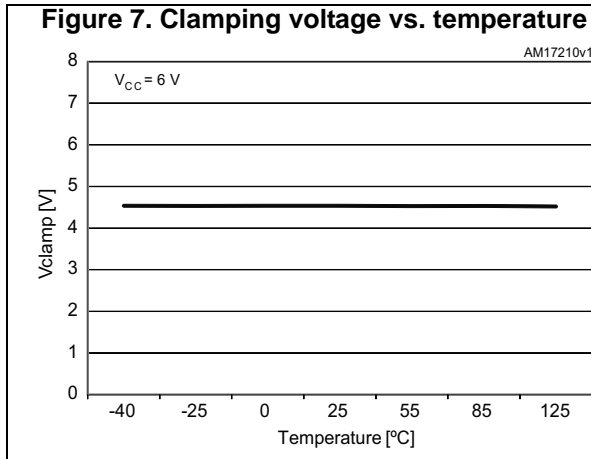


STEF033

Typical performance characteristics

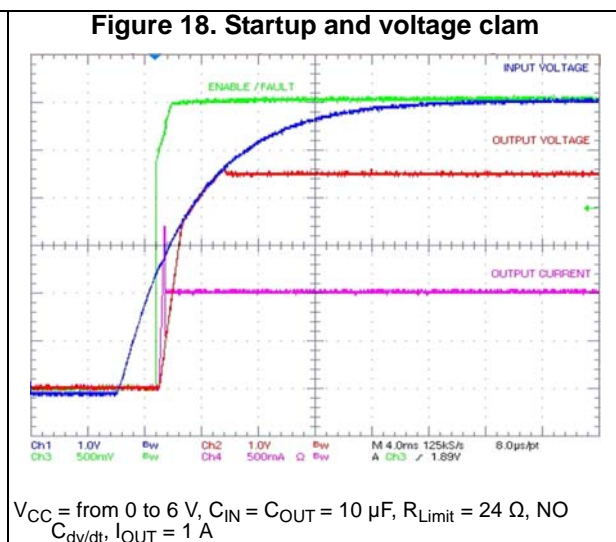
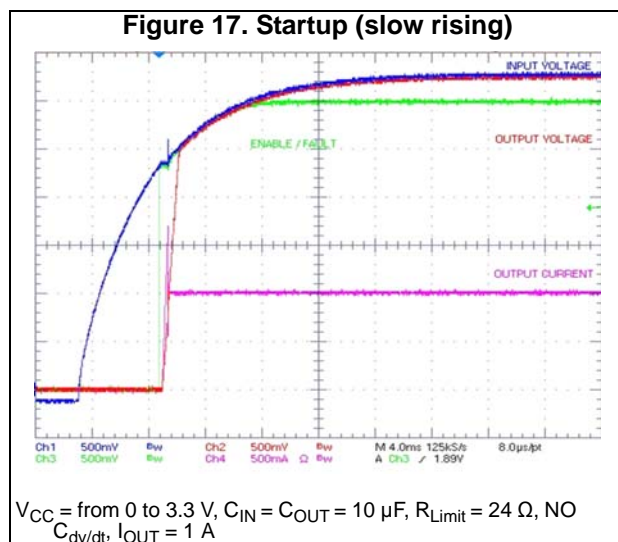
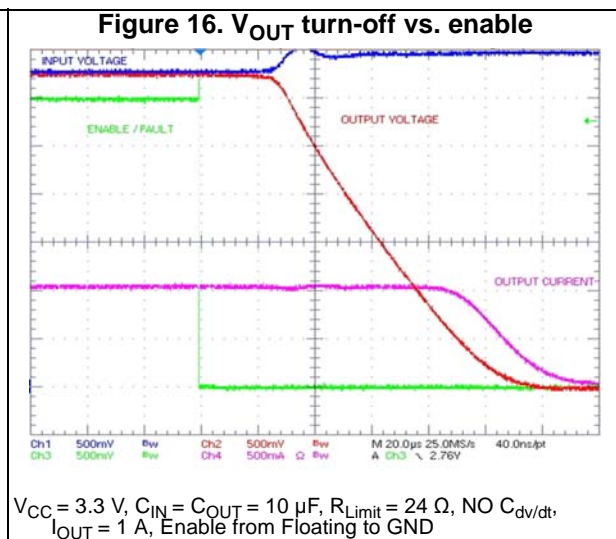
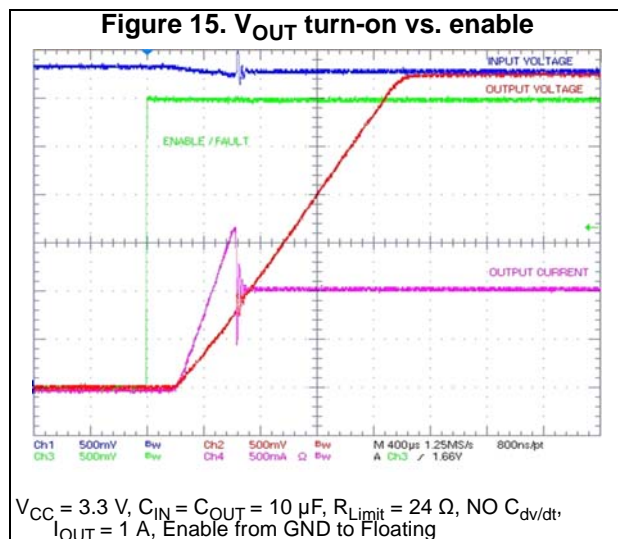
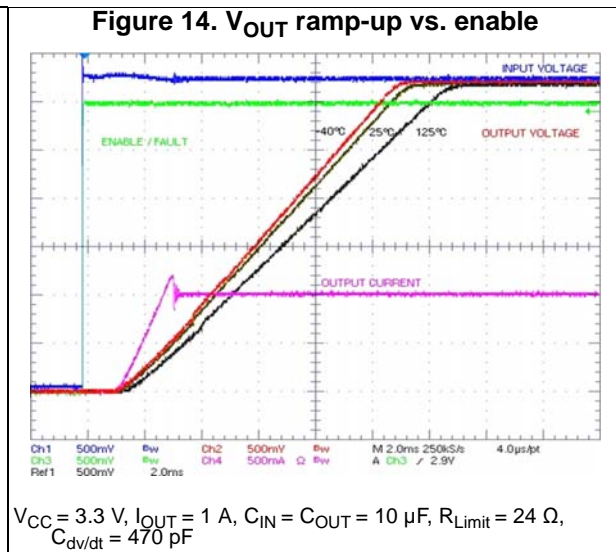
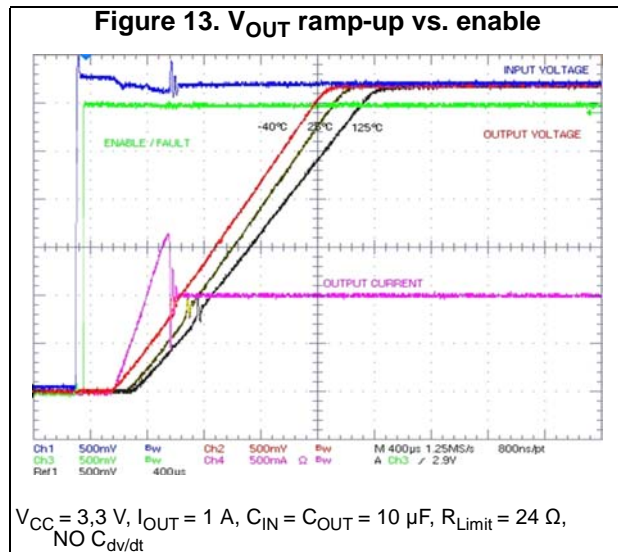
6 Typical performance characteristics

The following plots are referred to the typical application circuit and, unless otherwise noted, at $T_A = 25\text{ }^\circ\text{C}$.



Typical performance characteristics

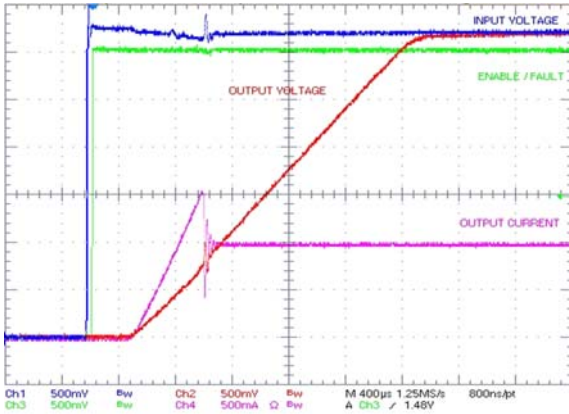
STEF033



STEF033

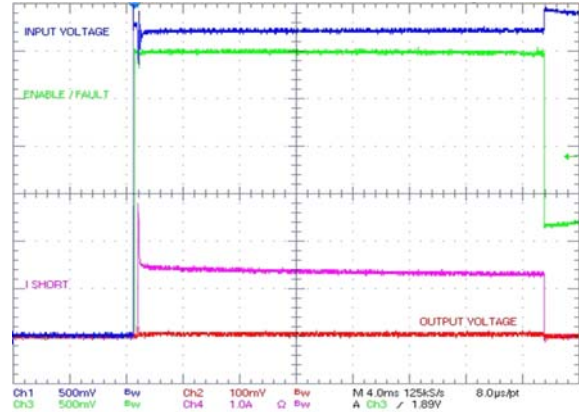
Typical performance characteristics

Figure 19. Thermal latch from 2 A load to short-circuit



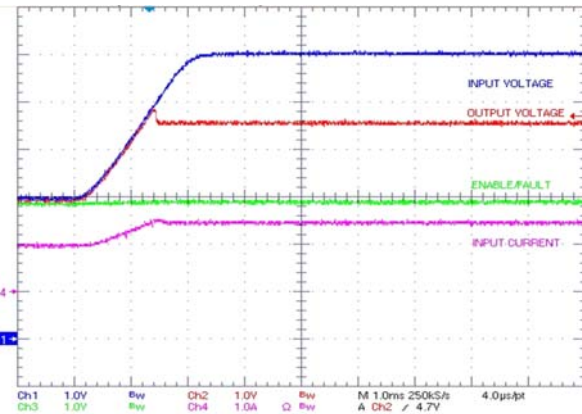
V_{CC} = from 0 to 3.3 V, $C_{IN} = C_{OUT} = 10 \mu F$, $R_{Limit} = 24 \Omega$, NO $C_{dv/dt}$, $I_{OUT} = 1 A$

Figure 20. Startup into output short-circuit



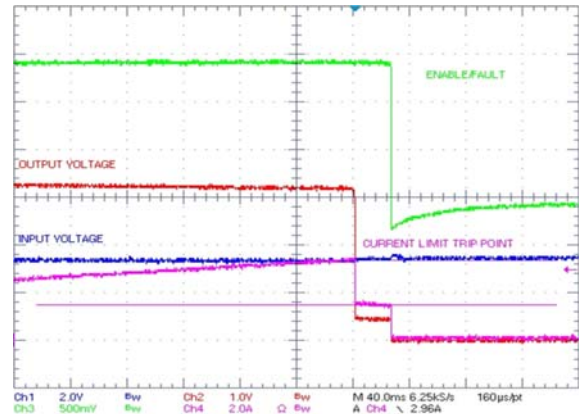
V_{CC} = from 0 to 3.3 V, $C_{IN} = C_{OUT} = 10 \mu F$, $R_{Limit} = 24 \Omega$, V_{OUT} short to GND

Figure 21. Voltage clamp



V_{CC} = from 3.3 to 6 V, $C_{IN} = C_{OUT} = 10 \mu F$, $R_{Limit} = 24 \Omega$, $I_{OUT} = 1 A$

Figure 22. Trip and short current (I_{OUT} ramp)



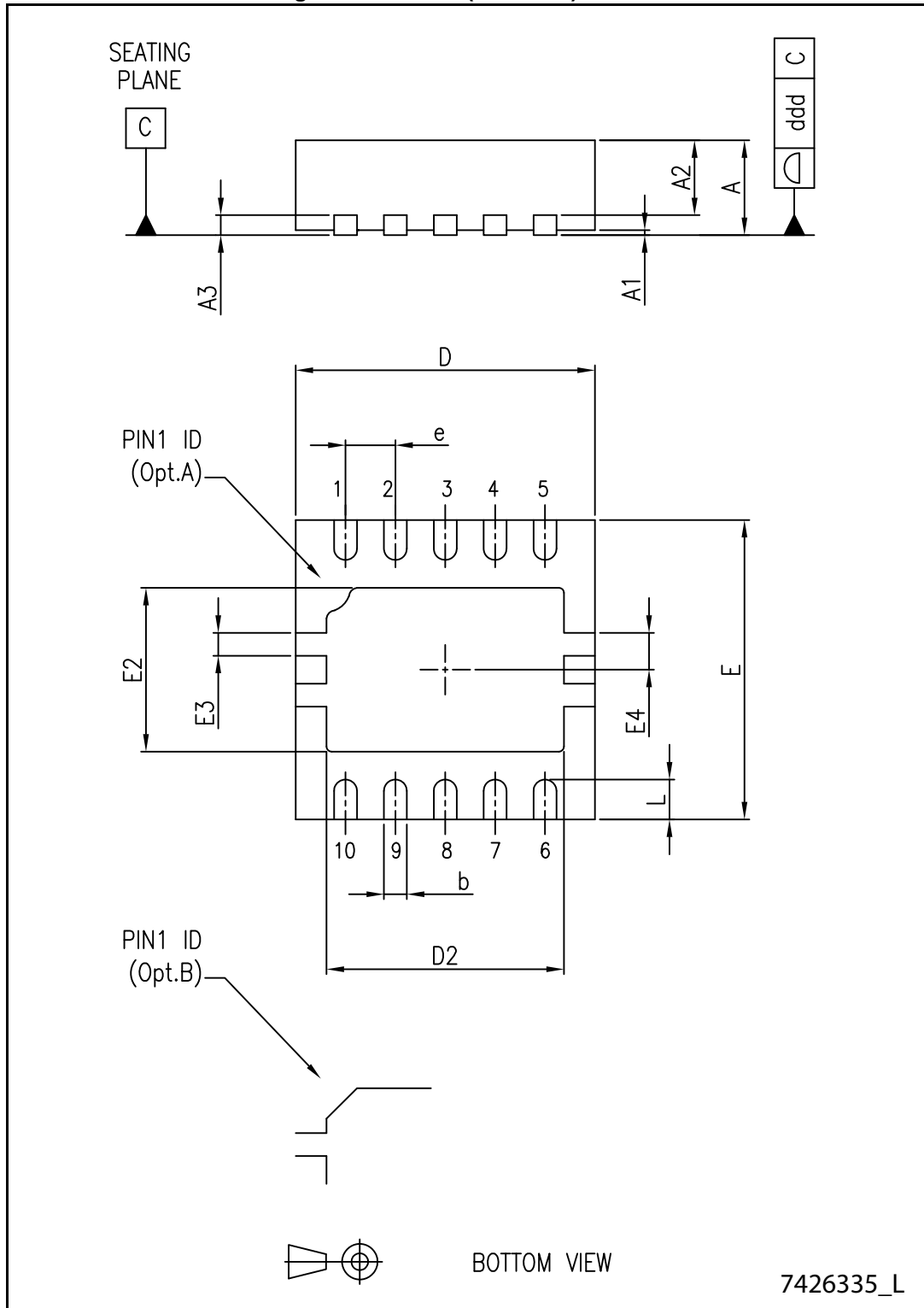
V_{CC} = from 0 to 3.3 V, $C_{IN} = C_{OUT} = 10 \mu F$, $R_{Limit} = 24 \Omega$

7 Package information

In order to meet environmental requirements, ST offers these devices in different grades of ECOPACK[®] packages, depending on their level of environmental compliance. ECOPACK[®] specifications, grade definitions and product status are available at: www.st.com. ECOPACK[®] is an ST trademark.

7.1 DFN10 (3 x 3 mm) package information

Figure 23. DFN10 (3 x 3 mm) outline



7426335_L

Package information

STEF033

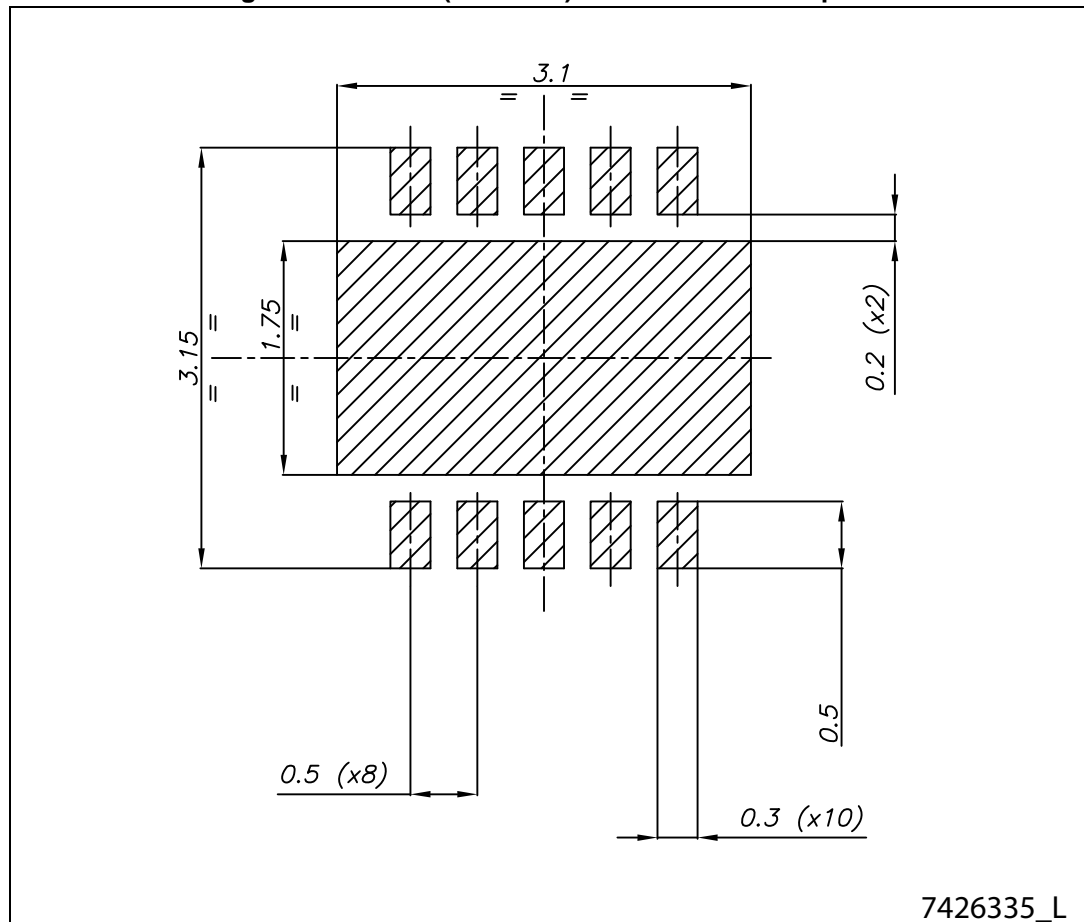
Table 8. DFN10 (3 x 3 mm) mechanical data

Dim.	mm.		
	Typ	Min.	Max.
A	0.90	0.80	1.00
A1	0.02		0.05
A2	0.70		
A3	0.20		
b	0.23	0.18	0.30
D	3.00	2.85	3.15
D2	2.38	2.23	2.50
E	3.00	2.85	3.15
E2	1.64	1.49	1.75
E3		0.230	
E4		0.365	
e	0.50		
L	0.40	0.30	0.50
ddd			0.08

STEF033

Package information

Figure 24. DFN10 (3 x 3 mm) recommended footprint



7.2 QFNxx/DFNxx (3x3 mm) packing information

Figure 25. QFNxx/DFNxx (3x3 mm) tape and reel outline

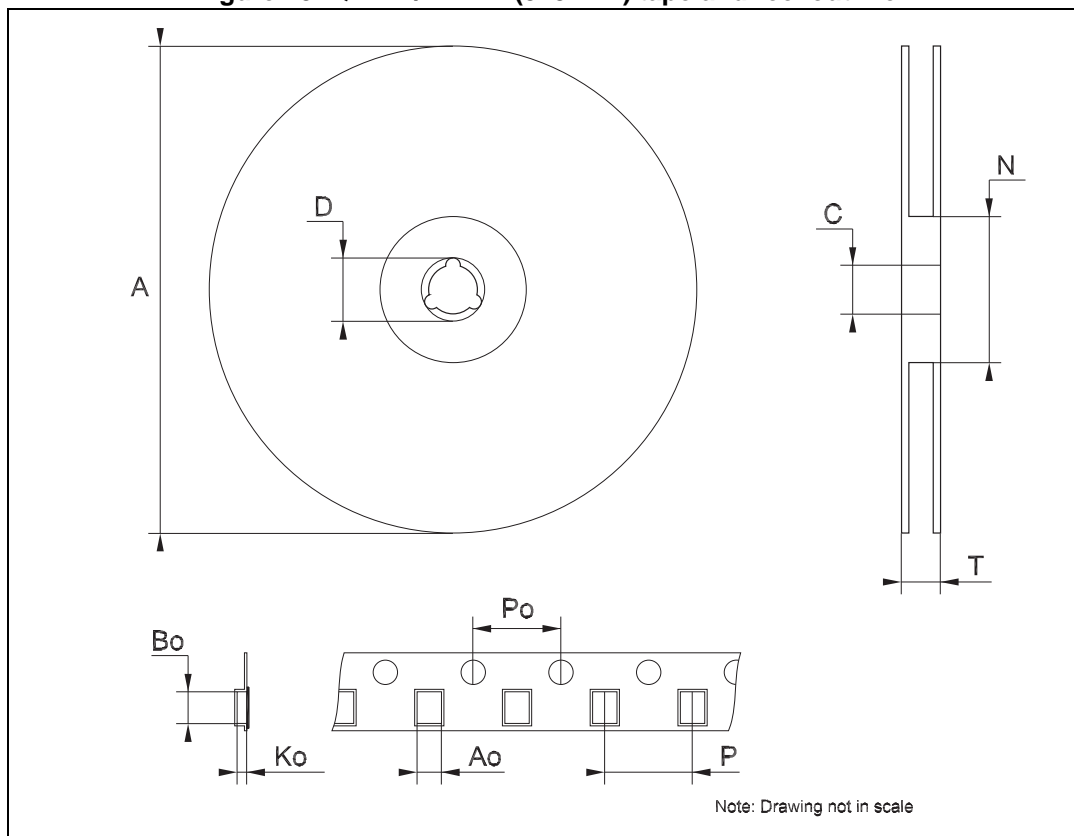
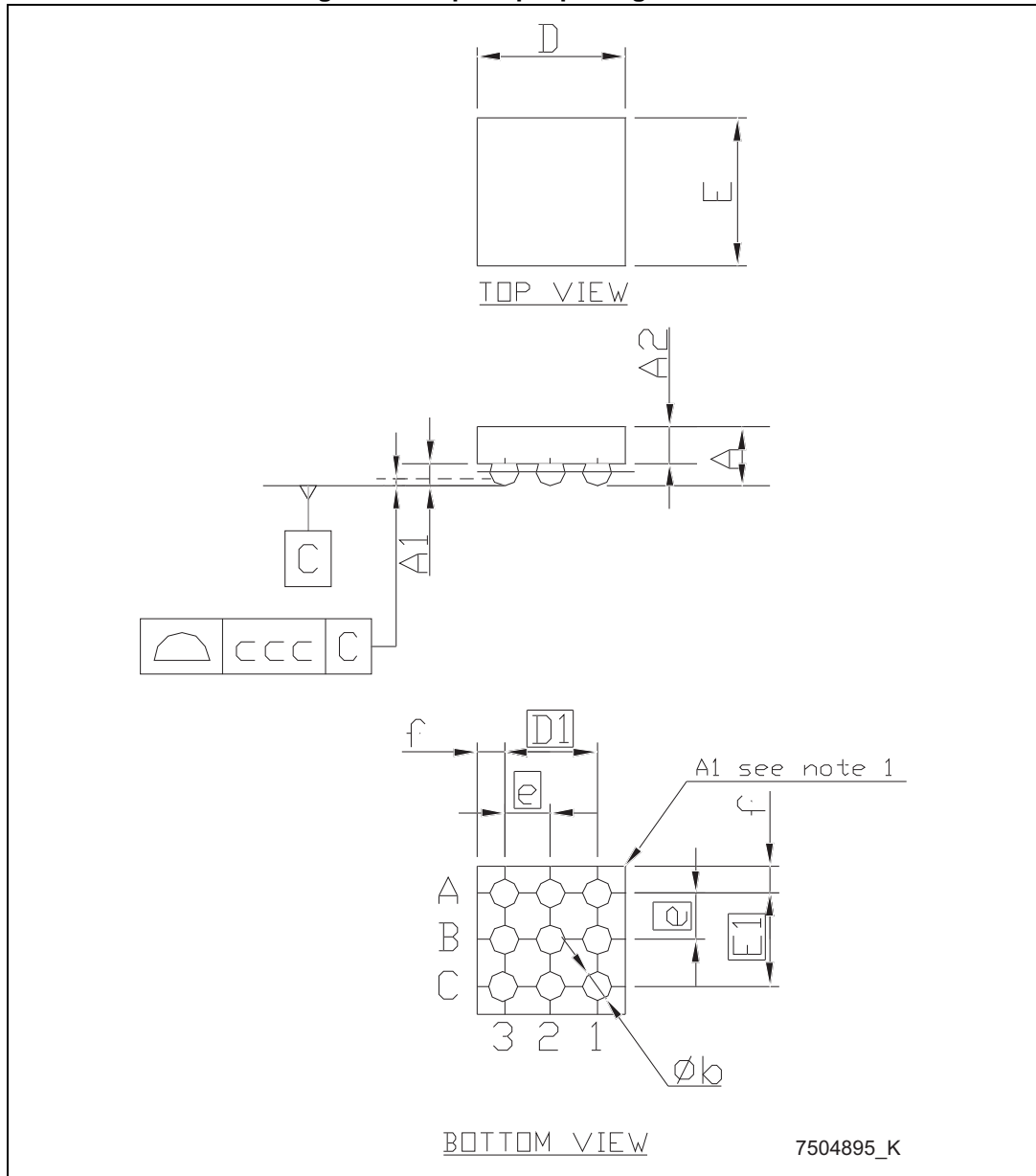


Table 9. QFNxx/DFNxx (3x3 mm) tape and reel mechanical data

Dim.	mm.		
	Min.	Typ.	Max.
A			330
C	12.8		13.2
D	20.2		
N	60		
T			18.4
Ao		3.3	
Bo		3.3	
Ko		1.1	
Po		4	
P		8	

7.3 Flip Chip 9 package information

Figure 26. Flip Chip 9 package outline



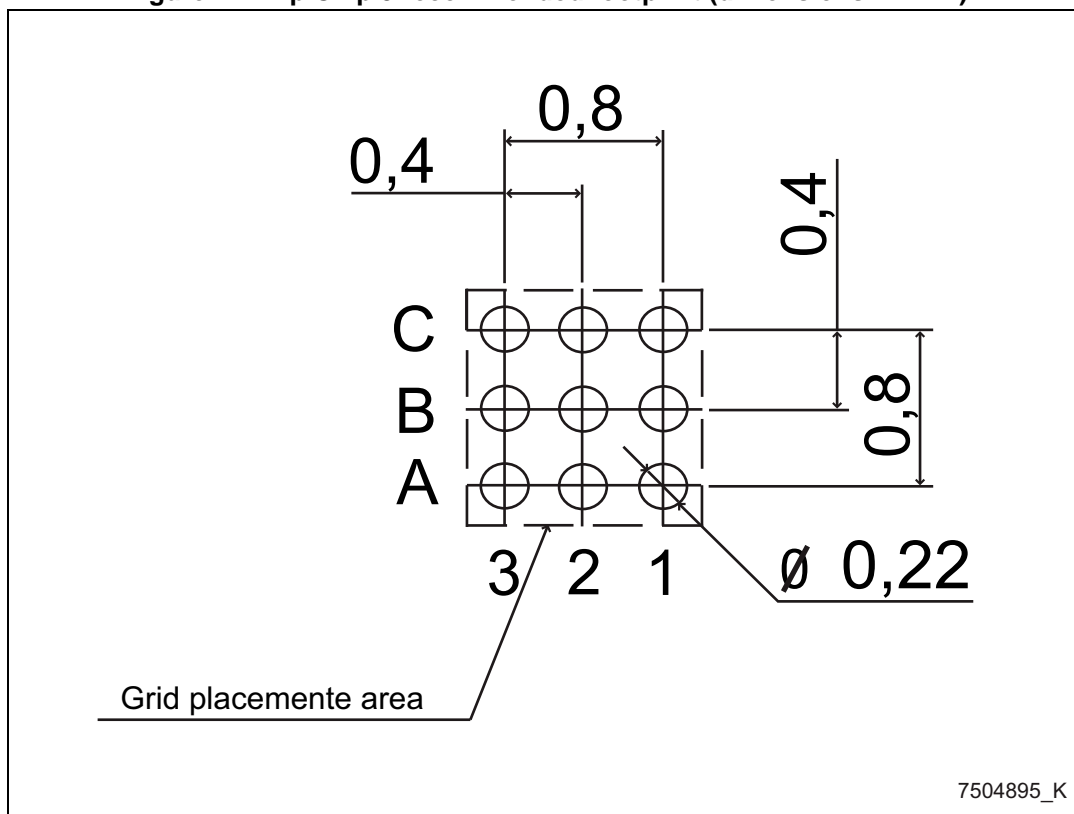
Package information

STEF033

Table 10. Flip Chip 9 mechanical data

Dim.	mm.		
	Min.	Typ.	Max.
A	0.50	0.55	0.60
A1	0.17	0.20	0.23
A2	0.33	0.35	0.37
b	0.23	0.25	0.29
D	1.16	1.19	1.22
D1		0.8	
E	1.16	1.19	1.22
E1		0.8	
e		0.40	
f		0.195	
ccc		0.075	

Figure 27. Flip Chip 9 recommended footprint (dimensions in mm.)



STEF033

Order codes

8 Order codes

Table 11. Order codes

Tape and reel	Package	Version	Marking
STEF033PUR	DFN	Latch	EF03
STEF033JR ⁽¹⁾	Flip Chip 9	Latch	33
STEF033APUR	DFN	Auto-retry	EF03A
STEF033AJR ⁽¹⁾	Flip Chip 9	Auto-retry	3A

1. Available on request.

9 Revision history

Table 12. Document revision history

Date	Revision	Changes
06-Aug-2013	1	Initial release.
28-Jan-2015	2	Updated features in cover page, Figure 2: Pin configuration (top view) , Table 1: Pin description , Table 4: Thermal data , Table 5: ESD performance , Table 6: Electrical characteristics for STEF033 and Section 7: Package information . Minor text changes.

STEF033

IMPORTANT NOTICE – PLEASE READ CAREFULLY

STMicroelectronics NV and its subsidiaries ("ST") reserve the right to make changes, corrections, enhancements, modifications, and improvements to ST products and/or to this document at any time without notice. Purchasers should obtain the latest relevant information on ST products before placing orders. ST products are sold pursuant to ST's terms and conditions of sale in place at the time of order acknowledgement.

Purchasers are solely responsible for the choice, selection, and use of ST products and ST assumes no liability for application assistance or the design of Purchasers' products.

No license, express or implied, to any intellectual property right is granted by ST herein.

Resale of ST products with provisions different from the information set forth herein shall void any warranty granted by ST for such product.

ST and the ST logo are trademarks of ST. All other product or service names are the property of their respective owners.

Information in this document supersedes and replaces information previously supplied in any prior versions of this document.

© 2015 STMicroelectronics – All rights reserved