



Distributor of BUD Industries, Inc.: Excellent Integrated System Limited

Datasheet of DC-8035 - RACK OPEN ASSEMBLY 26.25" X 84"

Contact us: sales@integrated-circuit.com Website: www.integrated-circuit.com

Excellent Integrated System Limited

Stocking Distributor

Click to view price, real time Inventory, Delivery & Lifecycle Information:

[BUD Industries, Inc.](#)

[DC-8035](#)

For any questions, you can email us directly:

sales@integrated-circuit.com

PART NAME

OPEN RACK ASSEMBLY

PART No.

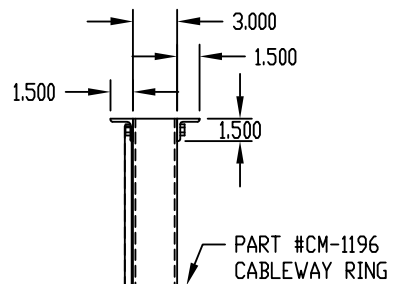
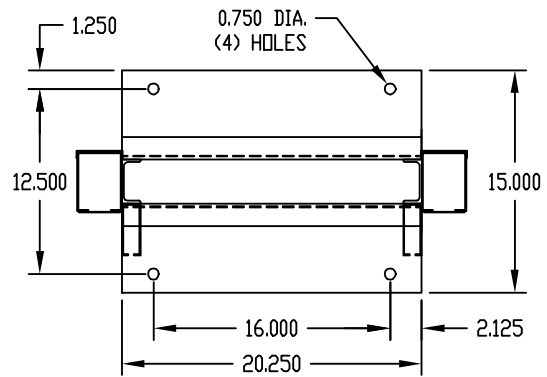
DC-8035

MATERIAL:

ALUMINUM RELAY RACK:
UPRIGHTS, BASE ANGLES
& TOP ANGLES _____ ALUMINUM EXTRUSIONS
VERTICAL CABLEWAY RINGS
& CABLE RINGS _____ 14 GA. STEEL
VERTICAL CABLEWAY COVERS _____ 20 GA. STEEL

FINISH:

ALUMINUM RELAY RACK _____ BLACK TEXTURED
VERTICAL CABLEWAY RINGS,
VERTICAL CABLEWAY COVERS
& CABLE RINGS _____ SMOOTH BLACK



UPRIGHTS ARE TAPPED #12-24 ON E.I.A. UNIVERSAL SPACING.

UNIT SHIPPED KNOCKED DOWN.

THIS UNIT SUPPLIED WITH:
TWELVE (12) CABLEWAY RINGS
TWO (2) CABLEWAY COVERS
SIX (6) CABLE RINGS

