

## Excellent Integrated System Limited

Stocking Distributor

Click to view price, real time Inventory, Delivery & Lifecycle Information:

[BUD Industries, Inc.](#)

[CM-1195](#)

For any questions, you can email us directly:

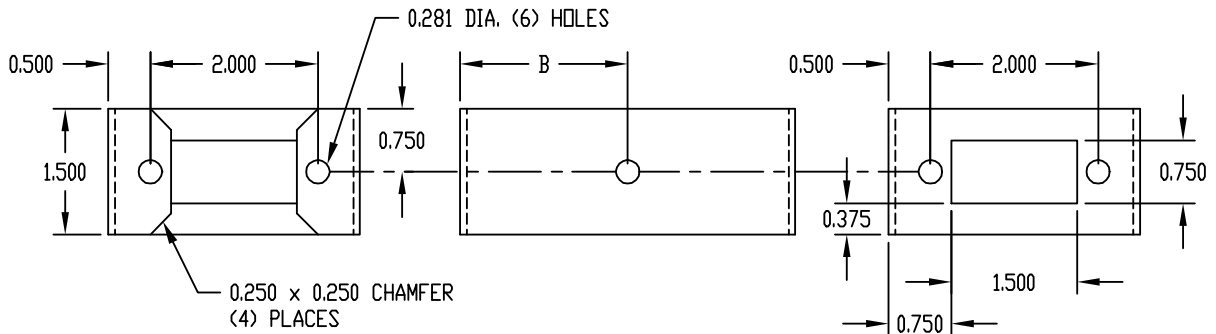
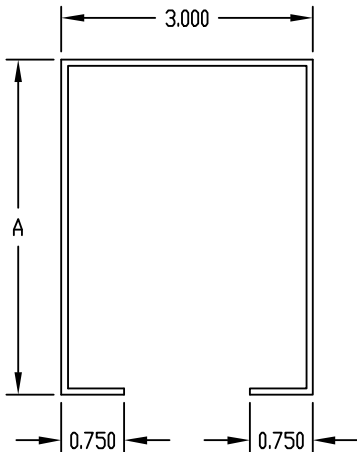
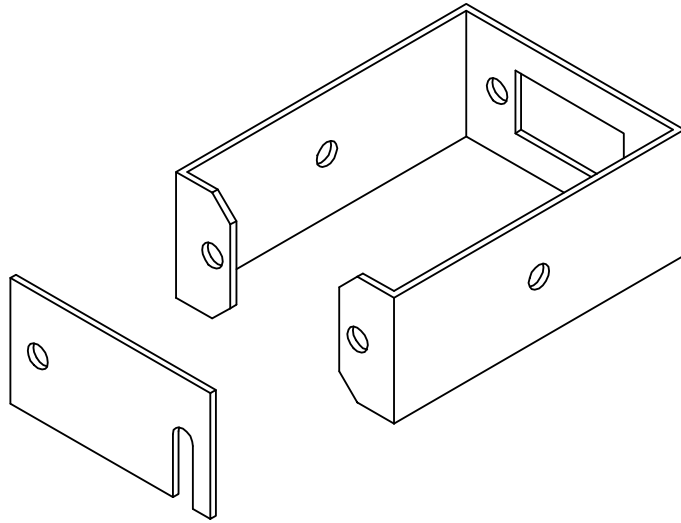
[sales@integrated-circuit.com](mailto:sales@integrated-circuit.com)

PART NAME	VERTICAL CABLEWAY RING	PART No.	CM-1195 & CM-1196
-----------	------------------------	----------	-------------------

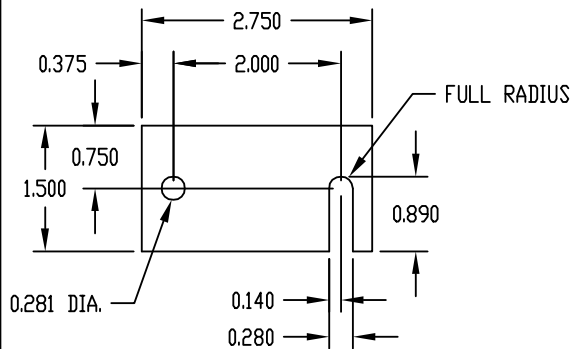
**MATERIAL:** 14 GA. STEEL

**FINISH:** SMOOTH BLACK

SUPPLIED WITH QTY. (4)  
#12-24 x 1/2 LG. SCREWS  
& QTY. (2) #12-24 CLIP NUTS



RING



GATE

PART No.	DIMENSION "A"	DIMENSION "B"
CM-1195	4.000	2.000
CM-1196	6.000	3.000