

Excellent Integrated System Limited

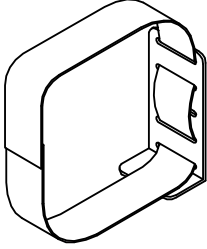
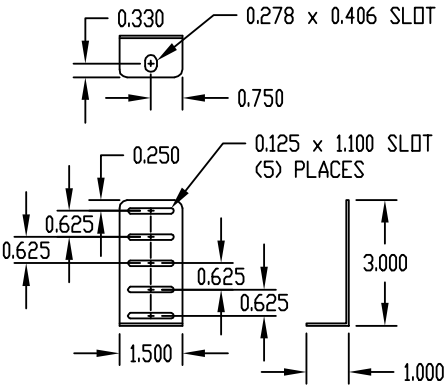
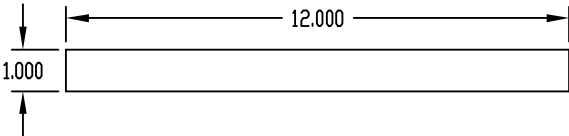
Stocking Distributor

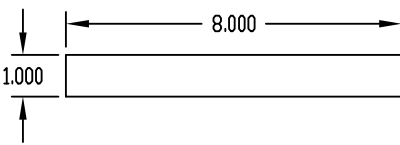
Click to view price, real time Inventory, Delivery & Lifecycle Information:

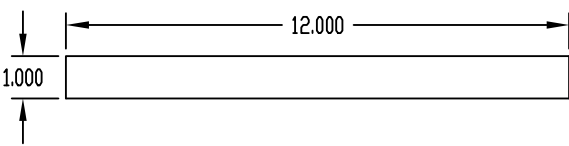
[BUD Industries, Inc.](#)
[CM-2200](#)

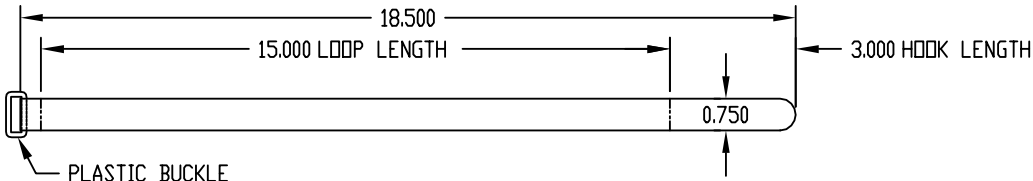
For any questions, you can email us directly:

sales@integrated-circuit.com

| | | | |
|--|--------------------------|---|--|
| PART NAME | CABLE MANAGEMENT BRACKET | PART No. | CM-2200 |
| <p>MATERIAL: BRACKET _____ 16 GA. STEEL STRAPS _____ VELCRD</p> <p>FINISH: BRACKET _____ SMOOTH BLACK STRAPS _____ BLACK</p> <p>SUPPLIED WITH SIX (6) #10-32 x 5/8 LG. SCREWS & SIX (6) #12-24 x 1/2 LG. SCREWS FOR MOUNTING.</p> <p>SHIPPED IN PACKAGES OF SIX (6) BRACKETS & STRAPS.</p> | |  |  |
|  | | | |

| | | | |
|---|--------------------------------|----------|------------|
| PART NAME | CABLE MANAGEMENT STRAPS 8" LG. | PART No. | CMS-2208-B |
| <p>MATERIAL: VELCRD</p> <p>FINISH: BLACK</p> <p>SHIPPED IN PACKAGES OF TWENTY-FIVE (25) STRAPS.</p> | | | |
|  | | | |

| | | | |
|---|---------------------------------|----------|------------|
| PART NAME | CABLE MANAGEMENT STRAPS 12" LG. | PART No. | CMS-2212-B |
| <p>MATERIAL: VELCRD</p> <p>FINISH: BLACK</p> <p>SHIPPED IN PACKAGES OF TWENTY-FIVE (25) STRAPS.</p> | | | |
|  | | | |

| | | | |
|---|---------------------------------|----------|------------|
| PART NAME | CABLE MANAGEMENT STRAPS 18" LG. | PART No. | CMS-2218-B |
| <p>MATERIAL: VELCRD</p> <p>FINISH: BLACK</p> <p>SHIPPED IN PACKAGES OF TWENTY-FIVE (25) STRAPS.</p> | | | |
|  | | | |