

## **Excellent Integrated System Limited**

Stocking Distributor

Click to view price, real time Inventory, Delivery & Lifecycle Information:

[BUD Industries, Inc.](#)  
[CM-2201](#)

For any questions, you can email us directly:

[sales@integrated-circuit.com](mailto:sales@integrated-circuit.com)

<b>PART NAME</b>	CABLE MANAGEMENT PANEL 1U x 19"	<b>PART No.</b>	CM-2201
------------------	---------------------------------	-----------------	---------

**MATERIAL:**

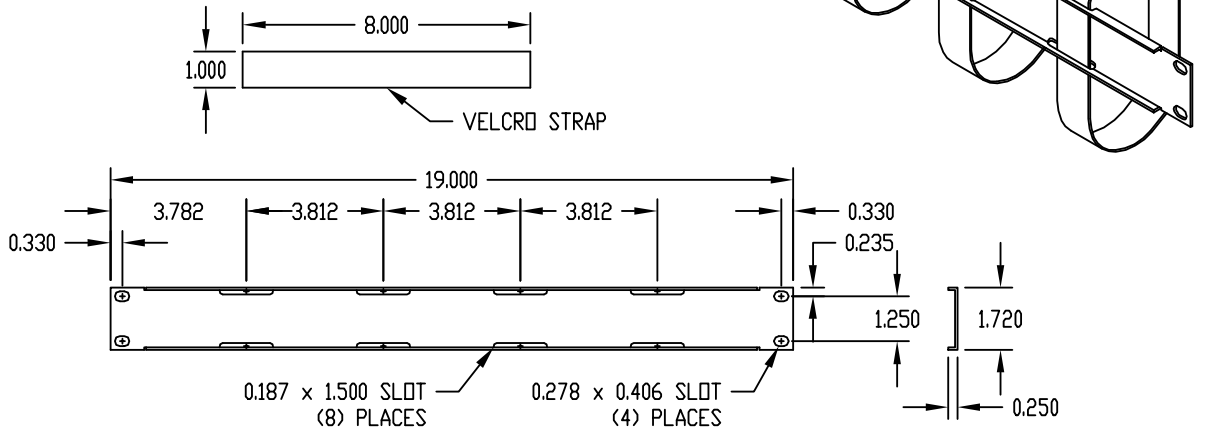
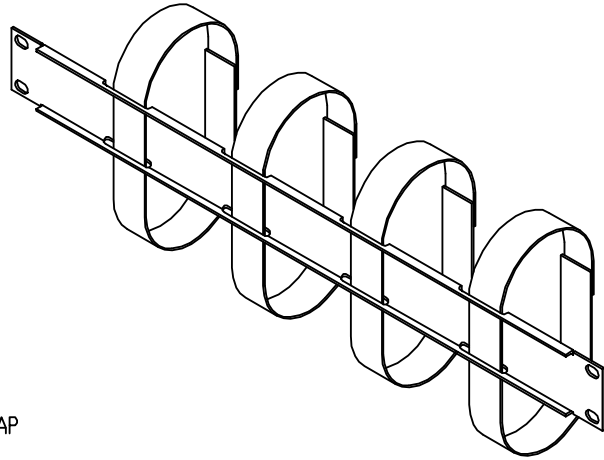
PANEL \_\_\_\_\_ 16 GA. STEEL  
STRAPS \_\_\_\_\_ VELCRO

**FINISH:**

PANEL \_\_\_\_\_ SMOOTH BLACK  
STRAPS \_\_\_\_\_ BLACK

SUPPLIED WITH FOUR (4) #10-32 x 5/8 LG. SCREWS  
& FOUR (4) #12-24 x 1/2 LG. SCREWS FOR MOUNTING.

SUPPLIED WITH FOUR (4) VELCRO STRAPS.



<b>PART NAME</b>	CABLE MANAGEMENT PANEL 1U x 23"	<b>PART No.</b>	CM-2202
------------------	---------------------------------	-----------------	---------

**MATERIAL:**

PANEL \_\_\_\_\_ 16 GA. STEEL  
STRAPS \_\_\_\_\_ VELCRO

**FINISH:**

PANEL \_\_\_\_\_ SMOOTH BLACK  
STRAPS \_\_\_\_\_ BLACK

SUPPLIED WITH FOUR (4) #10-32 x 5/8 LG. SCREWS  
& FOUR (4) #12-24 x 1/2 LG. SCREWS FOR MOUNTING.

SUPPLIED WITH FIVE (5) VELCRO STRAPS.

