

Excellent Integrated System Limited

Stocking Distributor

Click to view price, real time Inventory, Delivery & Lifecycle Information:

[BUD Industries, Inc.](#)
[HH-3463](#)

For any questions, you can email us directly:

sales@integrated-circuit.com

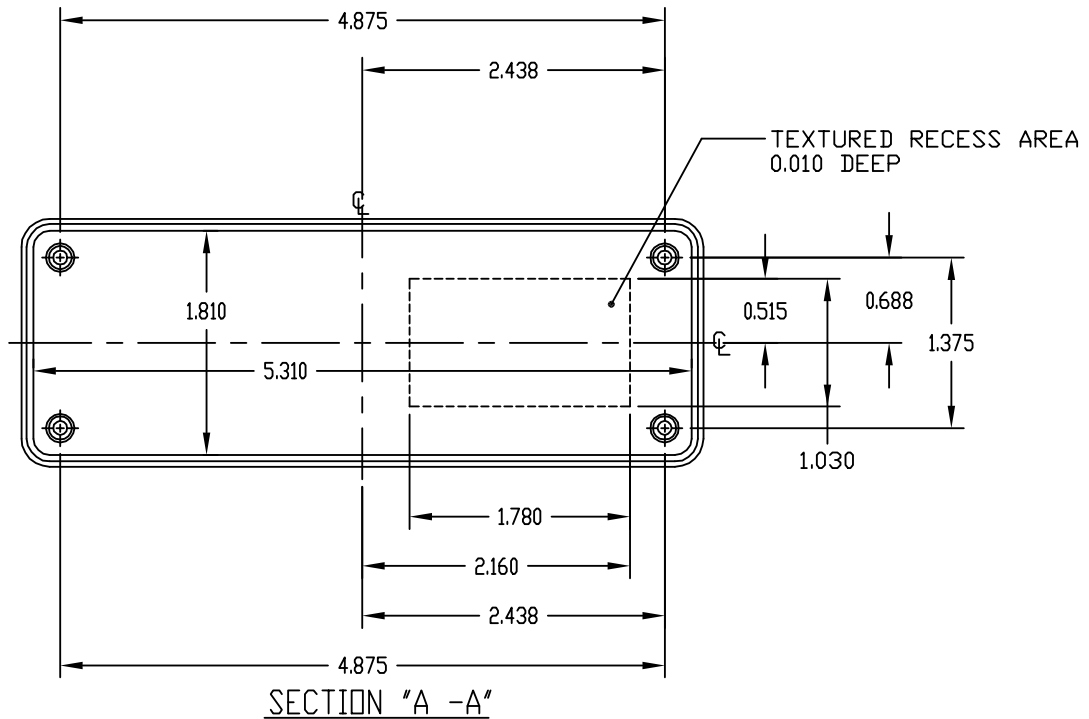
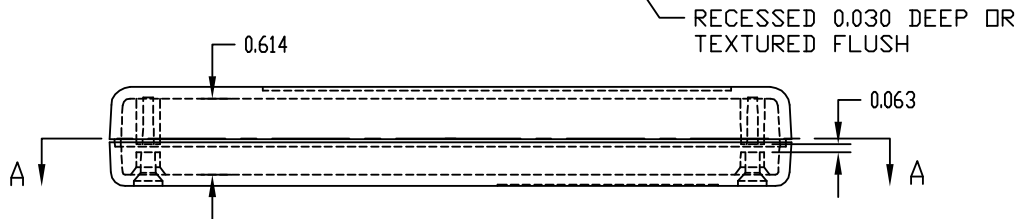
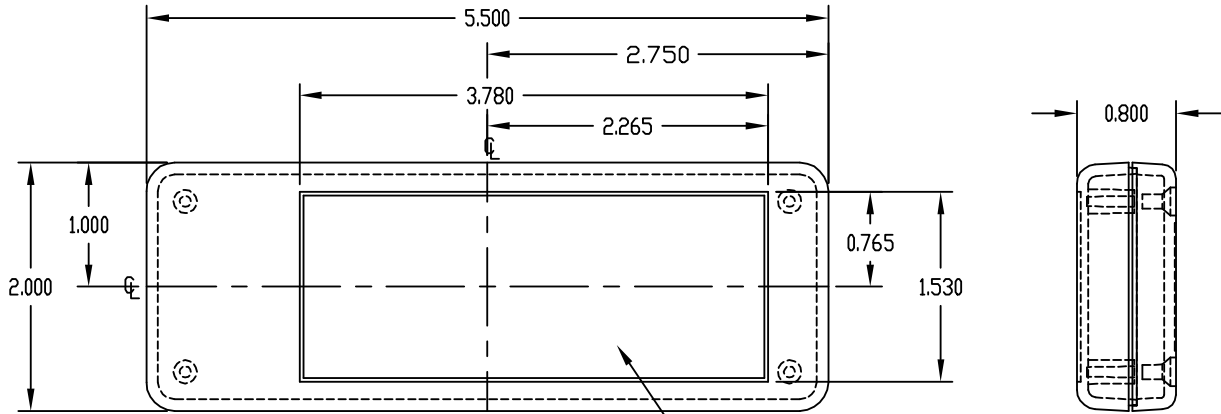
PART NAME	GRABBER (STYLE D)	PART No.	HH-3463 & HH-3464
-----------	-------------------	----------	-------------------

MATERIAL: ABS THERMOPLASTIC, UL94V-0
 FLAMMABILITY RATING (UL FILE #E121562),
 SUGGESTED SERVICE TEMPERATURE -20° C
 TO +70° C

FINISH: BLACK TEXTURED

FOUR (4) #4 x 0.500" LG. SCREWS (BLACK)
 SUPPLIED FOR ASSEMBLING COVER TO BODY

NOTE: ALL DIMENSIONS HAVE ±0.010
 TOLERANCE UNLESS OTHERWISE
 SPECIFIED



NOTES:

- 1.) PC BOARD CAN BE HELD IN PLACE BY BEING SANDWICHED BETWEEN TOP & BOTTOM CASE (.063 NOM. BOARD THICKNESS)

PART NO.	
HH-3463	.030 DEEP RECESSED COVER
HH-3464	FLUSH TEXTURED COVER