

Excellent Integrated System Limited

Stocking Distributor

Click to view price, real time Inventory, Delivery & Lifecycle Information:

[BUD Industries, Inc.](#)
[PN-1330](#)

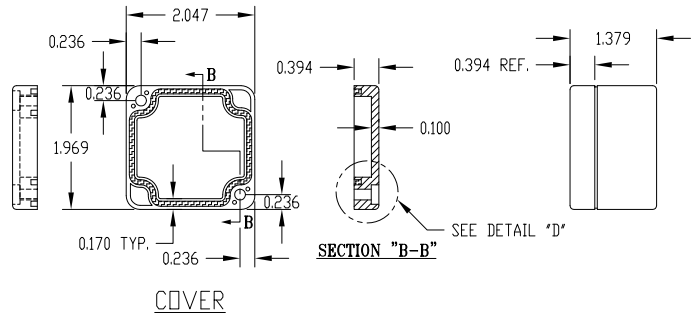
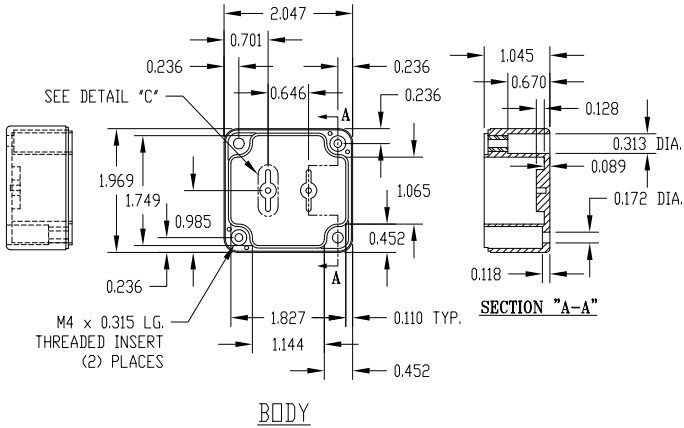
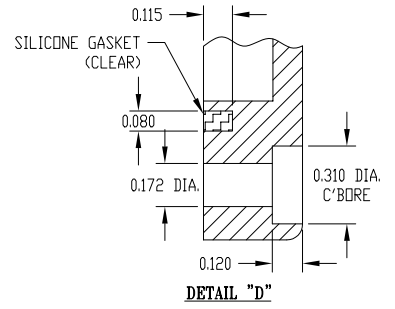
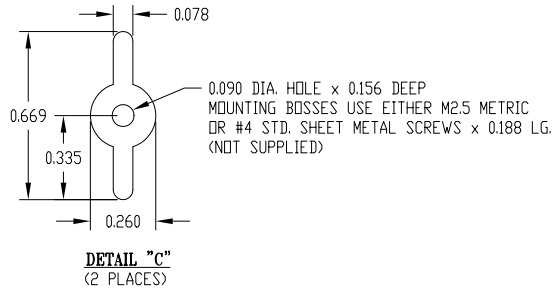
For any questions, you can email us directly:

sales@integrated-circuit.com

PART NAME	NEMA 4X ENCLOSURE	PART No.	PN-1330, PN-1330-C AND PN-1330-DG	REV. DATE	11-17-08
-----------	-------------------	----------	-----------------------------------	-----------	----------

INDUSTRY STANDARDS:

- POLYCARBONATE (LIGHT GRAY AND CLEAR)
- UL94-HB FLAMMABILITY RATING (UL FILE #E41613)
- UV STABILIZED
- SERVICE TEMPERATURE RANGE: -40°C TO +120°C
- ABS (DARK GRAY)
- UL94-HB FLAMMABILITY RATING (UL FILE #E56070)
- SERVICE TEMPERATURE RANGE: -40°C TO +80°C



NOTE: ALL DIMENSIONS HAVE ±0.015 TOLERANCE UNLESS OTHERWISE SPECIFIED.

PART NUMBER	MATERIAL		FINISH		HARDWARE KIT
	BODY	COVER	BODY	COVER	
PN-1330	POLYCARBONATE		LIGHT GRAY		KIT CONTAINS (2) M4 x 20mm (0.787") LG. SCREWS FOR ASSEMBLY
PN-1330-C	POLYCARBONATE		LIGHT GRAY	CLEAR	
PN-1330-DG	HIGH-IMPACT ABS		DARK GRAY		