

Excellent Integrated System Limited

Stocking Distributor

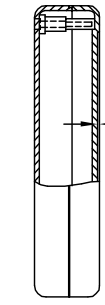
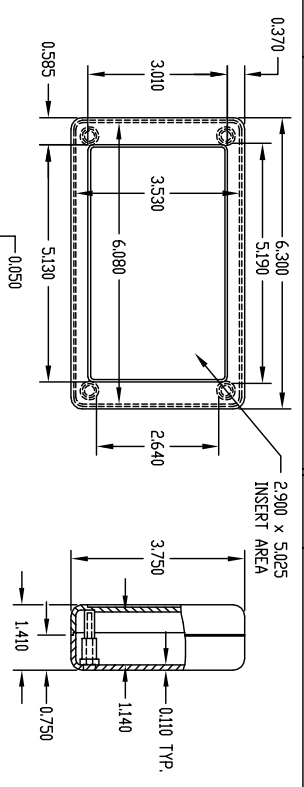
Click to view price, real time Inventory, Delivery & Lifecycle Information:

[BUD Industries, Inc.](#)
[PS-11276](#)

For any questions, you can email us directly:

sales@integrated-circuit.com

PART NAME	PLASTIBOX (STYLE C)	PART No.	PS-11276
-----------	---------------------	----------	----------



MATERIAL: HIGH-IMPACT POLYSTYRENE
 COLOR: PC BONE GRAY
 FINISH: TEXTURED BODY WITH SMOOTH TOP INSERT

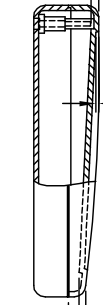
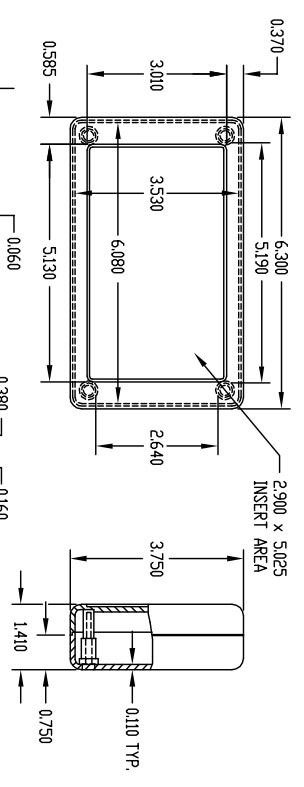
FOUR (4) #4 x 0.625" LG. SCREWS SUPPLIED FOR ASSEMBLING TOP.

FOUR (4) NON-SKID FEET SUPPLIED.

USABLE BOARD AREA IS 3.500 x 6.060.

NOTE: ALL DIMENSIONS HAVE ±0.015 TOLERANCE UNLESS OTHERWISE SPECIFIED.

PART NAME	PLASTIBOX (STYLE D)	PART No.	PS-11279
-----------	---------------------	----------	----------



MATERIAL: HIGH-IMPACT POLYSTYRENE
 COLOR: PC BONE GRAY
 FINISH: TEXTURED BODY WITH SMOOTH TOP INSERT

FOUR (4) #4 x 0.625" LG. SCREWS SUPPLIED FOR ASSEMBLING TOP.

FOUR (4) NON-SKID FEET SUPPLIED.

USABLE BOARD AREA IS 3.500 x 6.060.

NOTE: ALL DIMENSIONS HAVE ±0.015 TOLERANCE UNLESS OTHERWISE SPECIFIED.

