



Distributor of FCI: Excellent Integrated System Limited

Datasheet of 10065490-140TRLF - Connector Receptacle 40 Position 0.079" (2.00mm) Gold Surface Mount

Contact us: sales@integrated-circuit.com Website: www.integrated-circuit.com

Excellent Integrated System Limited

Stocking Distributor

Click to view price, real time Inventory, Delivery & Lifecycle Information:

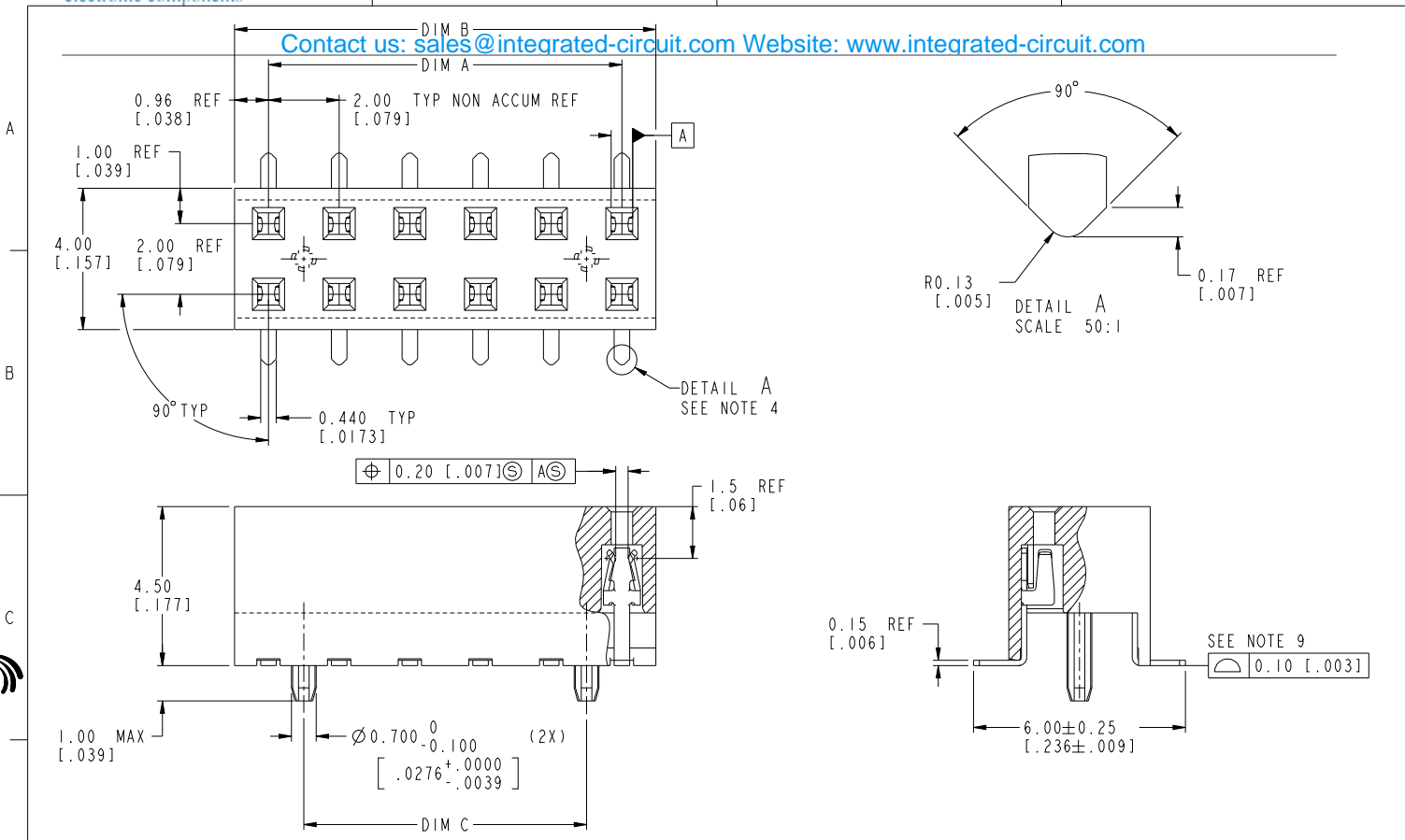
[FCI](#)

[10065490-140TRLF](#)

For any questions, you can email us directly:

sales@integrated-circuit.com

Contact us: sales@integrated-circuit.com Website: www.integrated-circuit.com



Copyright FCI.

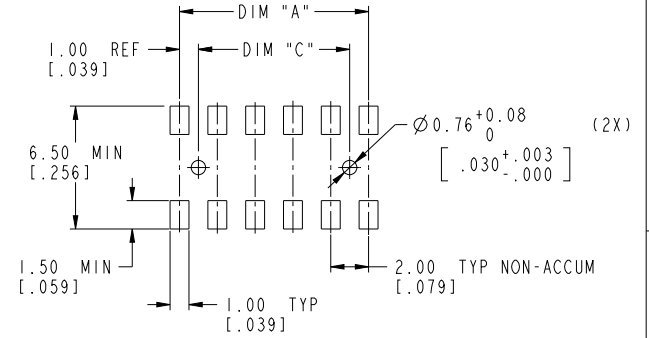
spec ref	-	dr	Andrew Yang	20120221	projection	MM/INCH	size	A3	scale	10:1
tolerance std	ISO 406 ISO 1101	eng	Guo-Min Sun	20130827	chr	-	ecn no	ELX-N-15649-1	rel level	Released
TOLERANCES UNLESS OTHERWISE SPECIFIED		appr	Rick Blum	20130827	product family	LPVCC	rel level	Released		
surface	ISO 1302	linear	0.X	±0.3		LOW PROFILE VCC 4.5 T.E. SMT ASSY WITH LOCATION FEATURES	eng no 10065490	rev E		
		0.XX	±0.13							
		0.XXX	±0.051							
		angular	0°	±2°	www.fci.com	cat. no.	-	Product - Customer Drw	sheet 1 of 3	

Print Date - REV C - 2009-04-29

Contact us: sales@integrated-circuit.com Website: www.integrated-circuit.com

PRODUCT NO	POSITIONS	DIM. A	DIM. B	DIM. C
10065490-X06	2 X 3	4.00 / .158	5.92 / .233	2.00 / .079
-X08	2 X 4	6.00 / .236	7.92 / .312	4.00 / .158
-X10	2 X 5	8.00 / .315	9.92 / .391	6.00 / .236
-X12	2 X 6	10.00 / .394	11.92 / .469	8.00 / .315
-X14	2 X 7	12.00 / .472	13.92 / .548	10.00 / .394
-X16	2 X 8	14.00 / .551	15.92 / .627	12.00 / .472
-X18	2 X 9	16.00 / .630	17.92 / .706	14.00 / .551
-X20	2 X 10	18.00 / .709	19.92 / .784	16.00 / .630
-X22	2 X 11	20.00 / .787	21.92 / .863	18.00 / .709
-X24	2 X 12	22.00 / .866	23.92 / .942	20.00 / .787
-X26	2 X 13	24.00 / .945	25.92 / 1.020	22.00 / .866
-X28	2 X 14	26.00 / 1.024	27.92 / 1.099	24.00 / .945
-X30	2 X 15	28.00 / 1.102	29.92 / 1.178	26.00 / 1.024
-X32	2 X 16	30.00 / 1.181	31.92 / 1.257	28.00 / 1.102
-X34	2 X 17	32.00 / 1.260	33.92 / 1.335	30.00 / 1.181
-X36	2 X 18	34.00 / 1.339	35.92 / 1.414	32.00 / 1.260
-X38	2 X 19	36.00 / 1.417	37.92 / 1.493	34.00 / 1.339
-X40	2 X 20	38.00 / 1.496	39.92 / 1.572	36.00 / 1.417
-X42	2 X 21	40.00 / 1.575	41.92 / 1.650	38.00 / 1.496
-X44	2 X 22	42.00 / 1.654	43.92 / 1.729	40.00 / 1.575
-X46	2 X 23	44.00 / 1.732	45.92 / 1.808	42.00 / 1.654
-X48	2 X 24	46.00 / 1.811	47.92 / 1.887	44.00 / 1.732
-X50	2 X 25	48.00 / 1.890	49.92 / 1.965	46.00 / 1.811

PLATING OPTIONS OVER CONTACT AREA
-0XX = 0.05um/2u" Au
-1XX = 0.76um/30u" Au
-3XX = 0.38um/15u" Au
-4XX = 0.76um/30u" GXT
-5XX = 0.38um/15u" GXT
-6XX = 2.54um/100u" MATTE TIN



RECOMMENDED PAD LAYOUT

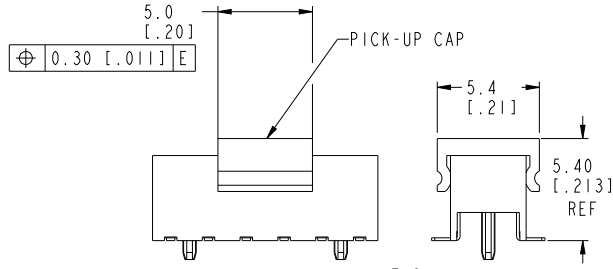


FIG. 1
NOTE 7(b)
SCALE 5:1

dr Andrew Yang	2012/02/21	projection	MM/INCH	size A3	scale 10:1
eng Guo-Min Sun	2013/08/27			ecn no	ELX-N-15649-1
chr				rel level	Released
appr Rick Blum	2013/08/27	product family	LPVCC	rev	E
		LOW PROFILE VCC 4.5 T.E. SMT ASSY WITH LOCATION FEATURES		eng no	10065490
www.fci.com	cat. no.	Product - Customer Draw		sheet 2 of 3	

PDS: Rev E

STATUS: Released

Printed: Aug 28, 2013

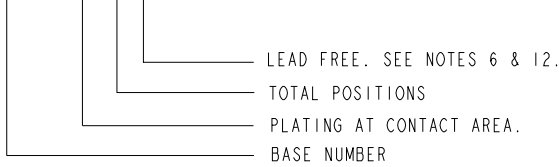
Copyright FCI.

NOTES:

Contact us: sales@integrated-circuit.com Website: www.integrated-circuit.com

1. HOUSING MATERIAL : HIGH TEMP PLASTIC.
2. TERMINAL MATERIAL : PHOSPHOR BRONZE.
3. TERMINAL RETENTION 0.5Kg/1.1 Lbs.
- ④ "V" CUT OPTIONAL - MANUFACTURING PROCESS OPTION.
5. SOLDER TAILS ARE TIN/LEAD PLATED FOR P/N:10065490-XXX(EXCEPT -4XX AND -5XX).
- ⑥ SOLDER TAILS ARE 100% MATTE TIN PLATED FOR P/N:10065490-XXXLF.
- ⑦ PRODUCT DESCRIPTION CODE :

XXXXXXXX-X XXLF



8. PACKAGING:
(a) XXXXXXXX-XXX --- STD PACKAGING IN TUBE.
(b) XXXXXXXX-XXXTR --- TAPE AND REEL PACKAGING WITH PICK-UP CAP (FIG. 1).
- ⑨ CO-PLANARITY
FROM POSITION -X04 THRU -X38: 0.10/.004
-X04 THRU -X50: 0.12/.005
10. THE HOUSING WILL WITHSTAND EXPOSURE TO 255°C PEAK TEMPERATURE FOR 10 SECONDS IN A CONVECTION, INFRA-RED OR VAPOR PHASE REFLOW OVEN.
11. THE HOUSING WILL WITHSTAND EXPOSURE TO 260°C PEAK TEMPERATURE FOR 10 SECONDS IN A WAVE SOLDER APPLICATION WITH A 1.57MM MINIMUM THICK CIRCUIT BOARD.
- ⑫ THIS PRODUCT MEETS EUROPEAN UNION DIRECTIVES AND OTHER COUNTRY REGULATIONS AS DESCRIBED IN GS-22-008.

dr	Andrew Yang	2013/08/21	projection	MM/INCH	size	A3	scale	10:1
eng	Guo-Min Sun	2013/08/27		← →	ecn no	EIS-N-15649-1		
chr	-	-			rel level	Released		
appr	Rick Blum	2013/08/27	product family	LPVCC				
	title	LOW PROFILE VCC 4.5 T.E. SMT ASSY WITH LOCATION FEATURES		eng no	10065490		rev	E
www.fci.com	cat. no.	-	Product - Customer Drw	sheet 3 of 3				