



Excellent Integrated System Limited

Stocking Distributor

Click to view price, real time Inventory, Delivery & Lifecycle Information:

[ebm-papst Inc.](#)
[8412NG](#)

For any questions, you can email us directly:

sales@integrated-circuit.com

8412 NG

DC axial compact fan



ebm-papst St. Georgen GmbH & Co. KG

Hermann-Papst-Str. 1
 D-78112 St. Georgen
 Phone +49 (0) 7724 81-0
 Fax +49 (0) 7724 81-1309
 info2@de.ebmpapst.com
 www.ebmpapst.com

Nominal data

| Type | 8412 NG | |
|--------------------------|-------------------|---------|
| Nominal voltage | VDC | 12 |
| Nominal voltage range | VDC | 8 .. 15 |
| Speed (rpm) | min ⁻¹ | 3100 |
| Power consumption | W | 2.0 |
| Min. ambient temperature | °C | -20 |
| Max. ambient temperature | °C | 70 |
| Air flow | m ³ /h | 69 |
| Sound power level | B | 4.7 |
| Sound pressure level | dB(A) | 32 |

ml = Max. load · me = Max. efficiency · fa = Free air · cs = Customer specification · ce = Customer equipment
 Subject to change

8412 NG

DC axial compact fan

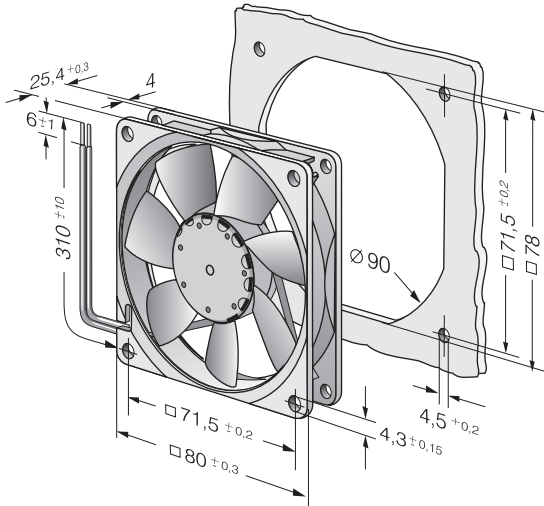
Technical description

| | |
|--|---|
| Housing material | Glass-fiber reinforced PBT plastic |
| Impeller material | Glass-fiber reinforced PA plastic |
| Weight | 0.095 kg |
| Dimensions | 80 x 80 x 25 mm |
| Airflow direction | Exhaust over struts |
| Direction of rotation | Counterclockwise, viewed toward rotor |
| Storage | Sintec sleeve bearing |
| Service life L10 at 40 °C | 70000 h |
| Service life L10 at maximum temperature | 35000 h |
| Cable | Leads AWG 24, TR 64, stripped and tin-plated. |
| Motor protection | Protection against reverse polarity and blocked rotor. |
| Locked-rotor protection | Locked-rotor and overload protection |
| Approval | VDE, CSA, UL, CE |
| Option | Possible custom designs: Speed signal Go / No-go alarm Alarm with speed limit External temperature sensor Internal temperature sensor PWM control input Analog control input Moisture protection Degree of protection: IP54 / IP68 |

8412 NG

DC axial compact fan

Product drawing



8412 NG

DC axial compact fan

Curves: Air performance

