

Excellent Integrated System Limited

Stocking Distributor

Click to view price, real time Inventory, Delivery & Lifecycle Information:

[FCI](#)

[67008-001LF](#)

For any questions, you can email us directly:

sales@integrated-circuit.com

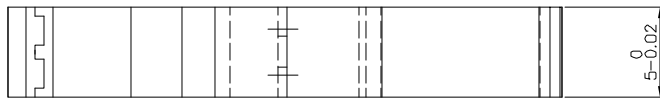
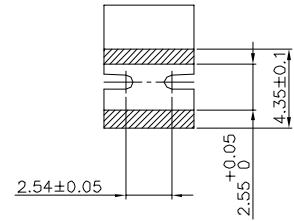
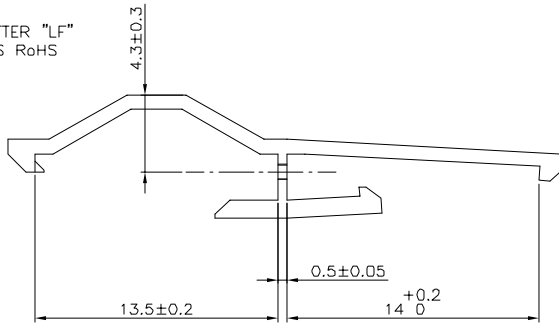
FCI CONFIDENTIAL

FCI

This document is the property of and remains CONFIDENTIAL and UNCLASSIFIED. It is not to be distributed outside the company without the written consent of FCI. Copyright FCI.

PRODUCT NUMBER
67008-001(LF)

WHEN NEEDED, SUFFIX LETTER "LF" INDICATES THE PRODUCT IS RoHS COMPLIANT, SEE NOTE 3



NOTES:

- 1 - MATERIAL LATCH: NORYL UL 94-V1
- 2 - THIS LATCH IS INTENDED FOR USSE IN COMBINATION WITH SINGLE ROW MINI LATCH HOUSING P/N 65039.
- 3 - RoHS COMPATIBLE PRODUCT SPECIFICATIONS
 - a - LABELING:
 - MEETS PACKAGING SPECS AS PER GS-14-920
 - b - LEGAL STATEMENT: SEE GS-22-008

THE PRODUCT IS NOT INTENDED TO BE EXPOSED TO A MANUFACTURING SOLDER PROCESS.

mat'l. code		surface		tolerance		projection		product family	
SEE NOTE		ISO 1302 ✓		ISO 406 ISO 1101		mm		BERGCON	
Ltr	ecm no	dr	date	tolerances unless otherwise specified		mm		title	
E	F05-0286	DLE	05.11.07	angles		Linear		LATCH	
F	F06-0218	DLE	06.07.11	Linear		scale 5:1		FLYING CONNECTION S.R.	
sheet index		revision sheet		dr	D LEGRAND	05.08.17			
				engr	P NIZZI	05.08.17			
				chr	D LE	05.08.17			
				appd	P NZ	05.08.17			
				type		CUSTOMER Drawing			