

## Excellent Integrated System Limited

Stocking Distributor

Click to view price, real time Inventory, Delivery & Lifecycle Information:

[FCI](#)

[67009-001LF](#)

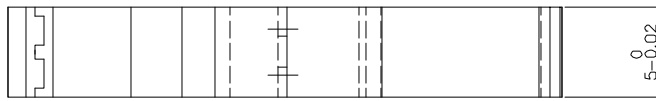
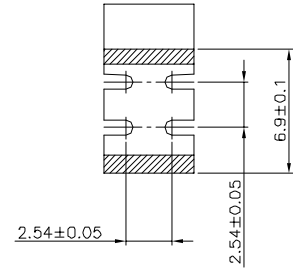
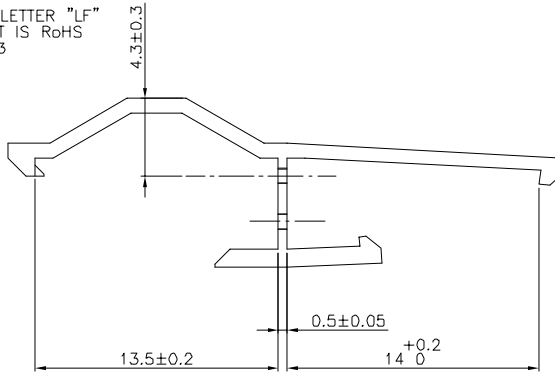
For any questions, you can email us directly:

[sales@integrated-circuit.com](mailto:sales@integrated-circuit.com)

FCI CONFIDENTIAL

PRODUCT NUMBER  
67009-001(LF)

WHEN NEEDED, SUFFIX LETTER "LF" INDICATES THE PRODUCT IS RoHS COMPLIANT, SEE NOTE 3



**NOTES:**

- 1- MATERIAL LATCH: NORYL UL 94-V1
- 2- THIS LATCH IS INTENDED FOR USSE IN COMBINATION WITH DOUBLE ROW MINI LATCH HOUSING P/N 65043
- 3- RoHS COMPATIBLE PRODUCT SPECIFICATIONS

- a - LABELING:
  - MEETS PACKAGING SPECS AS PER GS-14-920
- b - LEGAL STATEMENT: SEE GS-22-008

THE PRODUCT IS NOT INTENDED TO BE EXPOSED TO A MANUFACTURING SOLDER PROCESS.

mat'l. code		SEE NOTE		surface		tolerance		projection		product family	
lfr	ecn no	dr	date	iso 1382	iso 406	iso 1181				BERGGON	
E	F05-0286	DLE	05.11.07	tolerances unless otherwise specified				mm		title	
F	F06-0218	DLE	06.07.11	angles	linear			scale 5:1		LATCH	
G	F08-0194	PNZ	08.06.19							FLYING CONNECTION D.R.	
		dr	D LEGRAND	05.08.17							dwg no
		enr	P NIZZI	05.08.17							sheet 1 of 1
		chr	D LE	05.08.17							size
		app	P NZ	05.08.17							A3
										type	
										CUSTOMER Drawing	
sheet index	revision sheet										