

Excellent Integrated System Limited

Stocking Distributor

Click to view price, real time Inventory, Delivery & Lifecycle Information:

[ebm-papst Inc.](#)
[D2E140-HR97-05](#)

For any questions, you can email us directly:

sales@integrated-circuit.com



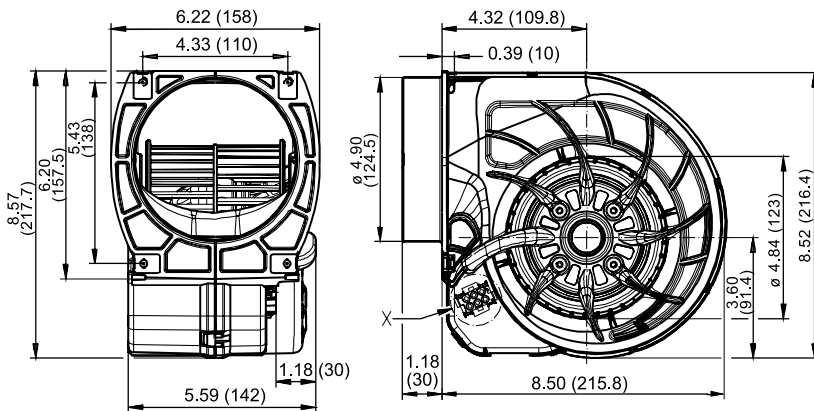
D2E140 Series Centrifugal Blower

Ø 140mm 4-speed

- AC dual inlet, forward curved centrifugal blower operates at 4 air flow levels. Via brackets, the standard external-rotor motor is mounted on one side of the scroll housing.
- Scroll housing with integrated terminal box made of polypropylene reinforced with French chalk, colored in black, and impeller made of polypropylene in natural color.
- Direction of rotation is CCW as seen on plug. Insulation class "F".
- Cable harness must be ordered separately.

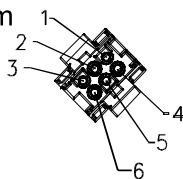
Part Number	Inches	(mm)
21956-4-1040	11.81	(300)
21957-4-1040	17.72	(450)
21958-4-1040	25.60	(650)
21959-4-1040	39.37	(1000)
- VDE/CE approvals. UL on request.

Part Number	CFM @ 0	Curve	Volts	Hertz	Power (W)	dBA	Max Ambient Temp C
D2E140-HR97-05	101	4	230	50/60	56	36	40
	158	3	230	50/60	75	46	40
	212	2	230	50/60	100	52	40
	253	1	230	50/60	128	56	40



Wiring Diagram

View X
 AMP Universal
 MATE-N-LOCK
 Housing # 926 682-3
 Wire Pin # 926 866-1



- 1 = Speed 1 (min)
- 2 = Speed 2
- 3 = Speed 3
- 4 = Speed 4 (max)
- 5 = Neutral
- 6 = Ground

