

Excellent Integrated System Limited

Stocking Distributor

Click to view price, real time Inventory, Delivery & Lifecycle Information:

[FCI](#)

[86553142TLF](#)

For any questions, you can email us directly:

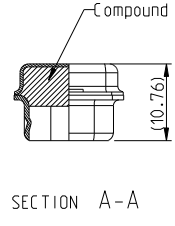
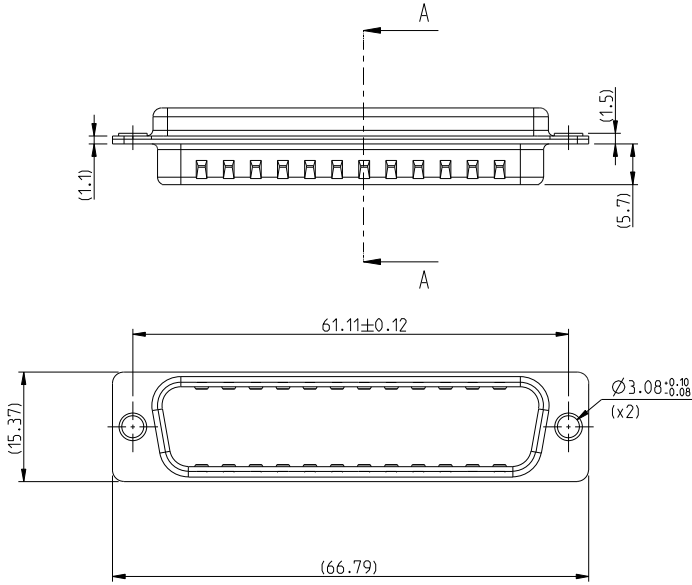
sales@integrated-circuit.com

FCI CONFIDENTIAL



This document is the property of and embodies CONFIDENTIAL and PROPRIETARY information of FCI. No part of the information shown on this document may be used, copied, or disseminated without the written consent of FCI. Copyright FCI.

PART-NUMBER	Plating
86553142	Cadmium
86553142TLF	Lead Free Tin



NOTE: RoHS INFORMATIONS

- The "LF" product meets European union Directives and other country regulations as described in GS-22-008.
- The product is not intended to be exposed to a manufacturing solder process.
- Packaging spec: see GS-14-920.

rev	ecm no	dr	date
A	LS-0144	MPE	2007-05-23
B	F09-0207	LSA	2009-10-22
C	F10-0201	LSA	2010-09-01
-	-	-	-
-	-	-	-
-	-	-	-

Material	STEEL	Spec ref	/
Mat code	-	surface	tolerance
Heat treat	-	ISO 406	ISO 1101
Plating/Finish	See table	ISO 1302	projection
Dr	PESSON	2007-05-23	size
Eng	PESSON	2007-05-23	A3
Chr	LEGARE	2007-05-23	Scale
Appr	LEGARE	2007-05-23	2:1
Title		SHELL SIZE 50	
Pro/E file		catalog no	
Title		MALE METAL CAP IP65	
Title		C01-8655-1681	
Title		CUSTOMER	
Title		sheet 1 of 1	