

Excellent Integrated System Limited

Stocking Distributor

Click to view price, real time Inventory, Delivery & Lifecycle Information:

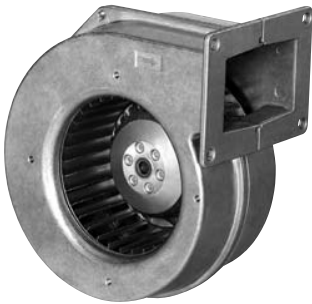
[ebm-papst Inc.](#)
[G2E108-AA05-44](#)

For any questions, you can email us directly:

sales@integrated-circuit.com

G2E108 Series Centrifugal Blower

Ø 108mm



- AC single inlet, forward curved centrifugal blower. Via a bracket, the integrated external-rotor motor is mounted on one side of the housing.
- Direction of rotation is CW as seen from suction side. Insulation class "B".
- Maintenance-free ball bearings.
- Housing of die-cast aluminium; impeller of galvanised sheet-steel. Forwardcurved impellers are directly press-fitted onto the rotor of the external-rotor motor.
- UL, CSA, VDE approvals on some models, please contact application engineering.

Part Number	Curve	CFM @ D	VAC	Hertz	Power (W)	dB(A)	Max Amb. Temp C	Bearing Type	Features	Capacitor (µF)	Wgt. (lbs)
G2E108-AA05-44	1	91	115	60	35	54	55	Ball	Leads	4	3.00

