



Distributor of FCI: Excellent Integrated System Limited

Datasheet of DAL3V3P500G30LF - D-Sub Connector Plug, Male Pins 3 (Power) Position Through Hole, Right Angle Solder

Contact us: sales@integrated-circuit.com Website: www.integrated-circuit.com

Excellent Integrated System Limited

Stocking Distributor

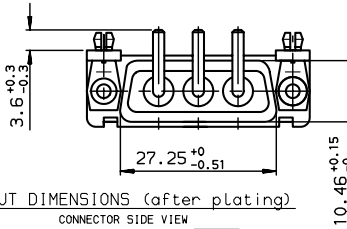
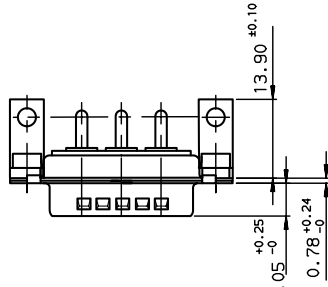
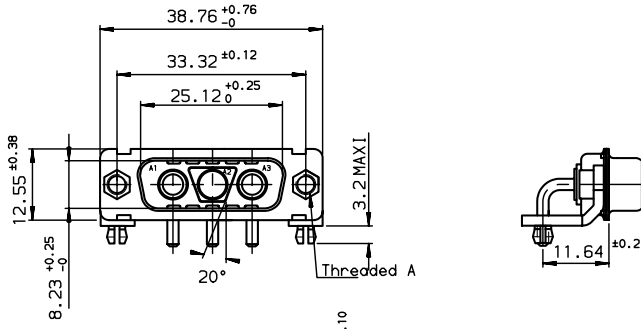
Click to view price, real time Inventory, Delivery & Lifecycle Information:

[FCI](#)

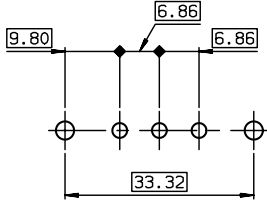
[DAL3V3P500G30LF](#)

For any questions, you can email us directly:

sales@integrated-circuit.com



LAYOUT DIMENSIONS (after plating)
CONNECTOR SIDE VIEW



TIN-LEAD PART NUMBER

DA03V3P500G30	UNC 4.40
DAL3V3P500G30	M3
PART NUMBER	Threaded A

GENERAL CHARACTERISTICS : SEE DRAWING C01-8639-0001

European Views

www.fciconnect.com		surface ISO 1302	tolerance std ISO 406 ISO 1101	projection mm
		TOLERANCES UNLESS OTHERWISE SPECIFIED		
Dr	JOUBERT	1997/12/09	ANGULAR	0.X ±0.1
Eng	PESSON	1997/12/09	LINEAR	0.XX ±0.1
Chr	LEGARE	1997/12/09	0.XX* ±2*	0.XXX ±0.1
Appr	LEGARE	1997/12/09	Product family	D-SUB
		size		A3
		ECN		LS07-0070
		Spec ref		-
FCI		PIN CONNECTOR FOR POWERS		Rev.
CONTACTS		C01-8639-1558		E
catalog no		CUSTOMER		sheet 1 of 1

rev	ecn no	dr	date
B	-	BAR	2003/11/17
C	LS05-001	MPE	2005/03/07
D	LS06-003S	LGO	2006/07/20
E	LS07-0070	MPE	2007/03/06
-	-	-	-
-	-	-	-
-	-	-	-

Copyright FCI

REV F - 2006-04-17