



Distributor of FCI: Excellent Integrated System Limited

Datasheet of DEO2V2P500H30LF - D-Sub Connector Plug, Male Pins and Female Sockets 2 (Power) Position Through Hole, Right Angle Solder

Contact us: sales@integrated-circuit.com Website: www.integrated-circuit.com

Excellent Integrated System Limited

Stocking Distributor

Click to view price, real time Inventory, Delivery & Lifecycle Information:

[FCI](#)

[DEO2V2P500H30LF](#)

For any questions, you can email us directly:

sales@integrated-circuit.com

Contact us: sales@integrated-circuit.com Website: www.integrated-circuit.com

GENERAL CHARACTERISTICS : SEE DRAWING C01-8639-0001

A

B

C

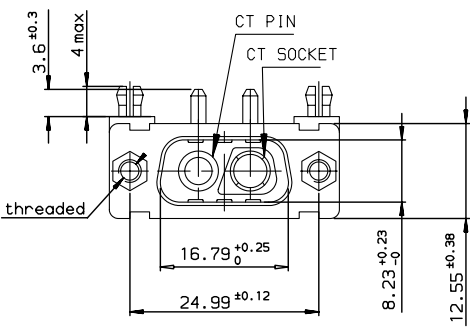
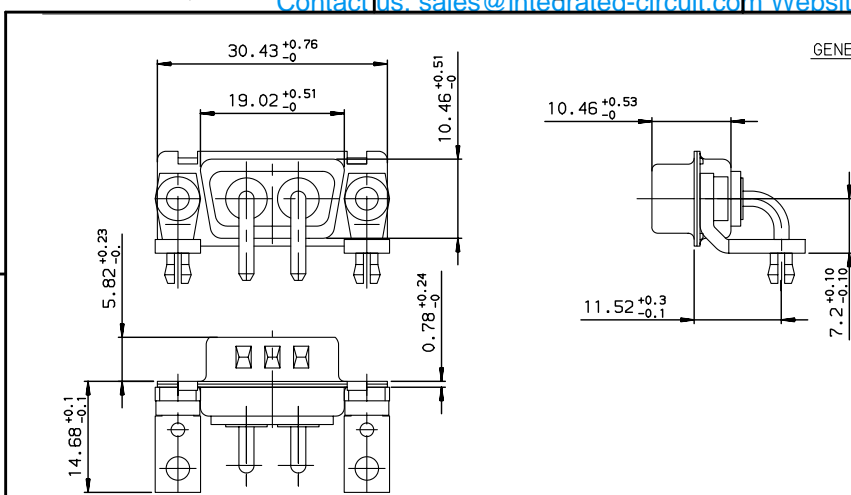
D

A

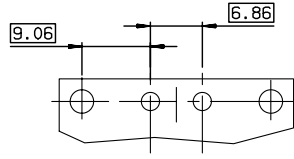
B

C

D



LAYOUT DIMENSIONS (after plating)
CONNECTOR SIDE VIEW



DE02V2P500H30	UNC 4.40
DE02V2P500H40	C
DEL2V2P500H30	M3
DEL2V2P500H40	M3
PART NUMBER	Threaded A

European Views

www.fciconnect.com		surface ISO 1302	tolerance std ISO 406 ISO 1101	projection mm	mm
		TOLERANCES UNLESS OTHERWISE SPECIFIED			
Dr	JARRY	2003/11/07	ANGULAR	0.X	±0.1
Eng	JARRY	2003/11/07	LINEAR	0.XX	±0.1
Chr	LEGARE	2003/11/07	0.XX*	0.XXX	±0.1
Appr	LEGARE	2003/11/07	Product family		SUB
				size	A3
				ECN	LS07-0265
				Spec ref	-
PIN CONNECTOR WITH TWO POWERS CONTACTS				001-8639-1522	Rev. D
catalog no				CUSTOMER	sheet 1 of 1

Copyright FCI.

REV F - 2006-04-17