

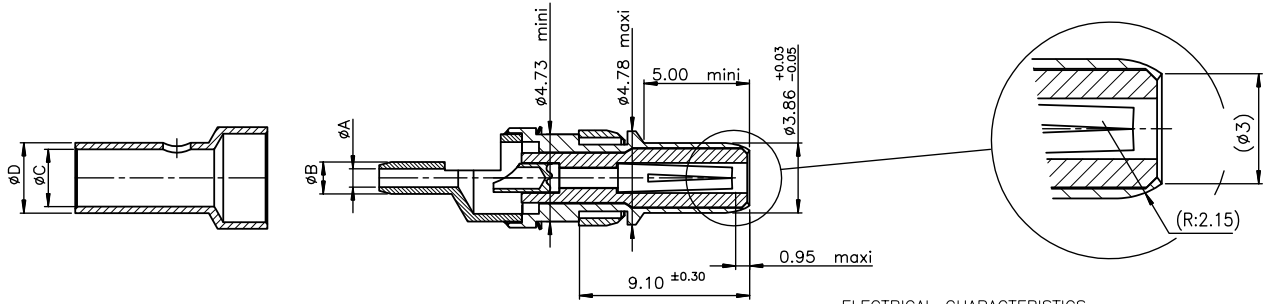
Excellent Integrated System Limited

Stocking Distributor

Click to view price, real time Inventory, Delivery & Lifecycle Information:

[FCI](#)
[DM537405001NCLF](#)

For any questions, you can email us directly:
sales@integrated-circuit.com



ELECTRICAL CHARACTERISTICS

- Impedance: 50 Ohm
- Working frequency: 1GHz max
- Dielectric with standing voltage: 600V
- Insulation resistance 5000: 14 OHMS
- Contact resistance < 5 m Ohm
- Insertion lost: < 0.2 dB

MECHANICAL CHARACTERISTICS

- Mating force per set of contact 0.4 N to 9 N
- Mating endurance 500
- Temperature -55°C to +125 °C

TOOLING

- Coaxial contact extraction tool 8630-07A

DM537405001NCLF	STRAIGHT MALE COAXIAL CONTACT	1.70	2.46	3.13	3.84	RG 188 A/U RG 179 B/U RG 316 /U
PART NUMBER	DESIGNATION	$\phi A \text{ }^{+0.10}_0$	$\phi B \text{ }^{+0.05}_0$	$\phi C \text{ }^{+0.10}_0$	$\phi D \text{ }^{+0.10}_0$	CABLE REF.

NOTE:RoHS INFORMATIONS

- The "LF" product meets European union Directives and other country regulations as described in GS-22-008.
- The product is not intended to be exposed to a manufacturing solder process.
- Packaging spec: see GS-14-920.

rev	ecn no	dr	date
A	LS05-0086	MFE	2005/10/14
B	LS05-0107	MFE	2005/12/20
C	LS07-0001	LCO	2007/01/09
D	F10-0086	LSA	2010/06/20

www.fciconnect.com		surface ISO 1302 ✓	tolerance std ISO 406 ISO 1101	projection mm
TOLERANCES UNLESS OTHERWISE SPECIFIED				
Dr	PESSON	2005/10/14	ANGULAR	LINEAR
Eng	PESSON	2005/10/14	0.X	±0.1
Chr	LEGARE	2005/10/14	0.XX	±0.1
Appr	LEGARE	2005/10/14	0.XXX	±0.1
Product family		D-SUB Spec ref -		
FCI title		STRAIGHT MALE COAXIAL CONTACT		Rev.
catalog no		SOLDER TO CABLE		C01-8639-2155
CUSTOMER				sheet 1 of 1

REV F - 2006-04-17

Copyright FCI