

Excellent Integrated System Limited

Stocking Distributor

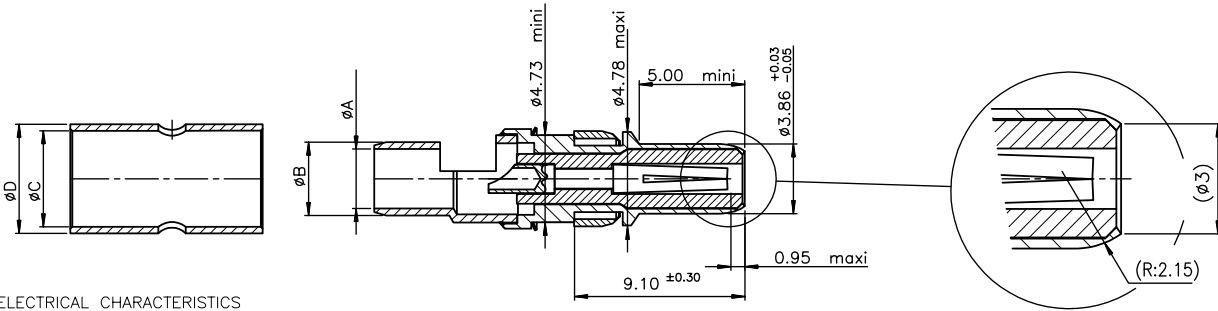
Click to view price, real time Inventory, Delivery & Lifecycle Information:

[FCI](#)
[DM537405005NCLF](#)

For any questions, you can email us directly:
sales@integrated-circuit.com

2 3 4

A



ELECTRICAL CHARACTERISTICS

- Impedance: 50 Ohm
- Working frequency: 1GHz max
- Dielectric with standing voltage: 600V
- Insulation resistance 5000: 14 Ohm
- Contact resistance < 5 mOhm
- Insertion lost: < 0.2 dB

MECHANICAL CHARACTERISTICS

- Mating force per set of contact 0.4 N to 9 N
- Mating endurance 500
- Temperature -55° to +125 °C

TOOLING

- Coaxial contact extraction tool 8630-07A

B

C



Copyright FCI

D

DM537405005NCLF	STRAIGHT MALE COAXIAL CONTACT	3.15	4	5.09	5.95	RG 58 C/U
PART NUMBER	DESIGNATION	$\phi A \begin{smallmatrix} +0.10 \\ 0 \end{smallmatrix}$	$\phi B \pm 0.05$	$\phi C \begin{smallmatrix} +0.10 \\ 0 \end{smallmatrix}$	$\phi D \pm 0.10$	Cable ref.

NOTE:ROHS INFORMATIONS

- The "LF" product meets European union Directives and other country regulations as described in GS-22-008.
- The product is not intended to be exposed to a manufacturing solder process.
- Packaging spec: see GS-14-920.

www.fciconnect.com

surface ISO 1302 ✓	tolerance std ISO 406 ISO 110	projection 	mm ↔
TOLERANCES UNLESS OTHERWISE SPECIFIED			
ANGULAR	LINEAR	0.X 0.XX 0.XXX	±0.1 ±0.1 ±0.1
0.XX ±2			size A3 ECN F10-0086

rev	ecn no	dr	date
A	LS05-0096	MFE	2005/10/12
B	LS05-0107	MFE	2005/12/20
C	LS07-0001	MFE	2007/01/09
D	F10-0086	LSA	2010/08/20

Dr	PESSON	2005/10/12	Product family	D-SUB	Spec ref	-
Eng	PESSON	2005/10/12				
Chr	LEGARE	2005/10/12				
Appr	LEGARE	2005/10/12				
title	STRAIGHT MALE COAXIAL CONTACT		Rev.	D		
catalog no	SOLDER TO CABLE		005 12	C01-8639-2147		
				CUSTOMER	sheet	1 of 1

REV F - 2006-04-17

1

2

3

4