

Excellent Integrated System Limited

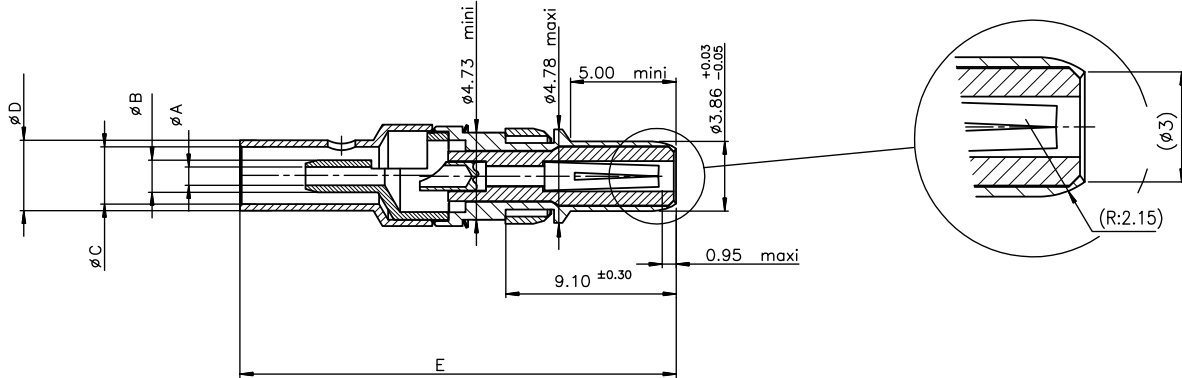
Stocking Distributor

Click to view price, real time Inventory, Delivery & Lifecycle Information:

[FCI](#)
[DM537405008NCLF](#)

For any questions, you can email us directly:
sales@integrated-circuit.com

| | | | | | | | |
|-----------------|-------------------------------|--------------------|--------------------------|--------------------|---------------------|-------|--------------------------|
| DM537405000NCLF | STRAIGHT MALE COAXIAL CONTACT | 1.00 | 1.75 | 2.32 | 3.20 | 22.40 | RG 178 B/U RG 196 A/U |
| DM537405008NCLF | STRAIGHT MALE COAXIAL CONTACT | 1.00 | 1.75 | 2.32 | 3.20 | 23.60 | RG 178 B/U RG 196 A/U |
| DM537405002NCLF | STRAIGHT MALE COAXIAL CONTACT | 2.75 | 4.00 | 5.09 | 5.95 | 26.30 | RG 195 A/U RG 180 B/U |
| PART NUMBER | DESIGNATION | $\phi A^{+0.10}_0$ | $\phi B^{+0.10}_{-0.10}$ | $\phi C^{+0.10}_0$ | $\phi D^{\pm 0.10}$ | (E) | CABLE REF. |



ELECTRICAL CHARACTERISTICS

- Impedance: 50 Ohm
- Working frequency: 1GHz max
- Dielectric with standing voltage: 600V
- Insulation resistance 5000: 14 Ohm
- Contact resistance < 5 mOhm
- Insertion loss: < 0.2 dB

MECHANICAL CHARACTERISTICS

- Mating force per set of contact 0.4 N to 9 N
- Mating endurance 500
- Temperature -55°C to +125 °C

TOOLING

- Coaxial contact extraction tool 8630-07A

NOTE:RoHS INFORMATIONS

- The "LF" product meets European union Directives and other country regulations as described in GS-22-008.
- The product is not intended to be exposed to a manufacturing solder process.
- Packaging spec: see GS-14-920.

Copyright FCI

| | | | | | |
|--------------------|-----------|---|-----------------------------------|----------------|--------------|
| www.fciconnect.com | | surface ISO 1302 <input checked="" type="checkbox"/> | tolerance std ISO 406 ISO 1101 | projection | mm |
| | | TOLERANCES UNLESS OTHERWISE SPECIFIED | | | |
| Dr | PESSON | 2005/10/14 | ANGULAR | 0.X | ±0.1 |
| Eng | PESSON | 2005/10/14 | LINEAR | 0.XX | ±0.1 |
| Chr | LEGARE | 2005/10/14 | 0.XX ±2 | 0.XXX | ±0.1 |
| Appr | LEGARE | 2005/10/14 | Product family | D-SUB | Spec ref - |
| rev | ecm no | dr | date | | |
| A | LS05-0086 | MFE | 2005/10/14 | | |
| B | LS05-0107 | MFE | 2005/12/20 | | |
| C | LS06-0101 | MFE | 2006/06/29 | | |
| D | LS07-0001 | MFE | 2007/01/02 | | |
| E | F10-0086 | LSA | 2010/08/20 | | |
| FCI | | | title | part | Rev. |
| | | | STRAIGHT MALE COAX CONTACT | C01-8639-2154 | E |
| | | | SOLDER TO CABLE | | |
| | | | catalog no | CUSTOMER | sheet 1 of 1 |

REV F - 2006-04-17

PDM: Rev:E

STATUS: Released

Printed: Mar. 30, 2011