

## Excellent Integrated System Limited

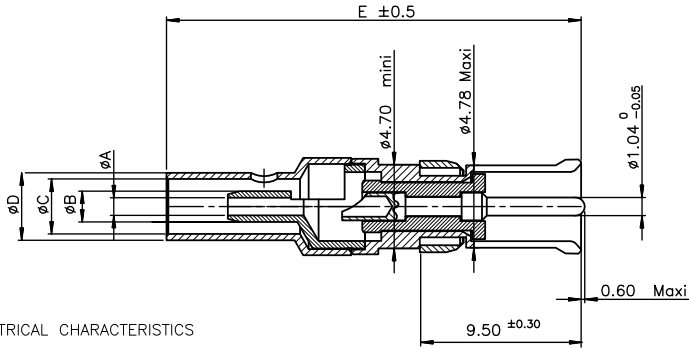
Stocking Distributor

Click to view price, real time Inventory, Delivery & Lifecycle Information:

[FCI](#)  
[DM537425000NCLF](#)

For any questions, you can email us directly:  
[sales@integrated-circuit.com](mailto:sales@integrated-circuit.com)

1	2	3	4
DM537425000NCLF	STRAIGHT SOCKET COAXIAL CONTACT	1.00	1.75 2.32 3.20 22.30
DM537425002NCLF	STRAIGHT SOCKET COAXIAL CONTACT	2.75	4.00 5.09 5.95 26.80
DM537425004NCLF	STRAIGHT SOCKET COAXIAL CONTACT	3.15	4.00 5.09 5.95 26.80
DM537425006NCLF	STRAIGHT SOCKET COAXIAL CONTACT	0.98	1.77 2.30 3.22 24.10
DM537425001NCLF	STRAIGHT SOCKET COAXIAL CONTACT	1.70	2.46 3.13 3.84 24.10
PART NUMBER	DESIGNATION	$\phi A^{+0.10}_0$	$\phi B^{\pm 0.05}$ $\phi C^{+0.10}_0$ $\phi D^{\pm 0.10}$ E CABLE REF.



**NOTE:RoHS INFORMATIONS**

- The "LF" product meets European union Directives and other country regulations as described in GS-22-008.
- The product is not intended to be exposed to a manufacturing solder process.
- Packaging spec: see GS-14-920.

**ELECTRICAL CHARACTERISTICS**

- Impedance: 50 Ohm
- Working frequency: 1GHz max
- Dielectric with standing voltage: 600V
- Insulation resistance 5000: 14 Ohm
- Contact resistance < 5 mOhm
- Insertion lost: < 0.2 dB

**MECHANICAL CHARACTERISTICS**

- Mating force per set of contact 0.4 N to 9 N
- Mating endurance 500
- Temperature -55°C to +125 °C

**TOOLING**

- Coaxial contact extraction tool 8630-07A

rev	con no	dr	date
A	LS05-0086	MPE	2005/10/14
B	LS05-0107	MPE	2005/12/20
C	LS07-0001	LGO	2007/01/09
D	F10-0086	LSA	2010/08/20

www.fciconnect.com		surface ISO 1302	tolerance std ISO 406 ISO 110	projection	mm
TOLERANCES UNLESS OTHERWISE SPECIFIED					
Dr	PESSON	2005/10/14	ANGULAR	0.X	± 0.1
Eng	PESSON	2005/10/14	LINEAR	0.XX	± 0.1
Chr	LEGARE	2005/10/14	0.XX ± 2	0.XXX	± 0.1
Appr	LEGARE	2005/10/14	Product family		D-SUB
ECN F10-0086					Spec ref -
FCI title STRAIGHT SOCKET COAXIAL CONTACT					Rev. D
catalog no SOLDER TO CABLE					C01-8639-2157
CUSTOMER					sheet 1 of 1

Copyright FCI

REV F - 2006-04-17