

Excellent Integrated System Limited

Stocking Distributor

Click to view price, real time Inventory, Delivery & Lifecycle Information:

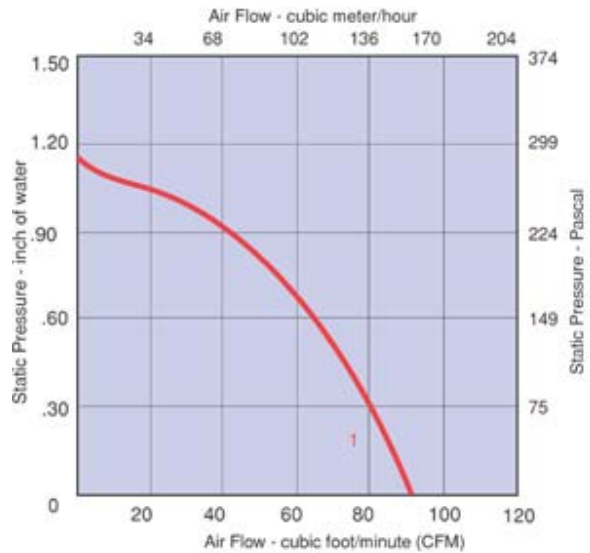
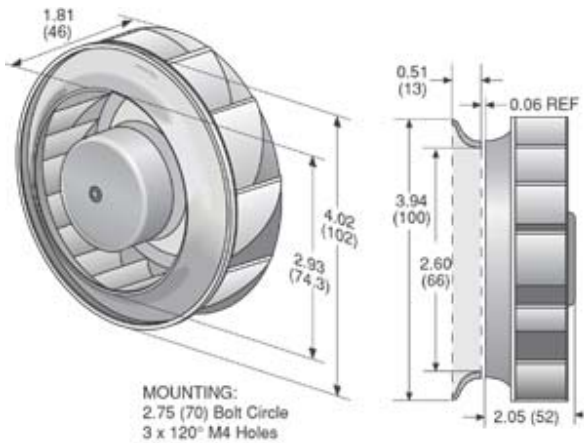
[ebm-papst Inc.](#)
[RER101-36/12/12P](#)

For any questions, you can email us directly:
sales@integrated-circuit.com



RER101 Series Motorized Impeller

| Part Number | CFM @ 0 | Curve | Volts | Voltage Range | Power (W) | dBa | Max Ambient Temp C | Wgt. (lbs) | Type Of Bearing | Features |
|------------------|---------|-------|-------|---------------|-----------|-----|--------------------|------------|-----------------|----------|
| RER101-36/12/12P | 90 | 1 | 12 | 11 to 13 | 13.5 | 69 | 55 | 0.56 | Ball | Leads |
| RER101-36/48/2P | 90 | 1 | 48 | 43 to 53 | 13.5 | 69 | 55 | 0.56 | Ball | Leads |



E-mail: sales@ebm.com • TEL: 860-674-1515 • FAX: 860-674-8536
 ebm Industries Inc., 100 Hyde Road, Farmington, CT 06034 USA
 ebm Industries, Inc., 2000-2002 - ebm Industries, Inc. reserves the right to change any specifications or data without notice

Page Reference
 RER101-8/29/2003