

Excellent Integrated System Limited

Stocking Distributor

Click to view price, real time Inventory, Delivery & Lifecycle Information:

[CW Industries](#)

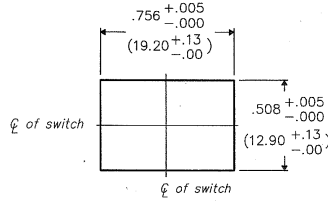
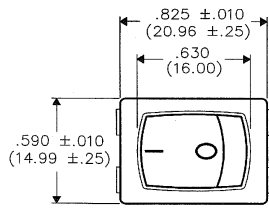
[GRS-4011B-0037](#)

For any questions, you can email us directly:

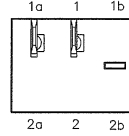
sales@integrated-circuit.com

DIMENSIONS IN INCHES (MILLIMETERS)
DO NOT SCALE DRAWING

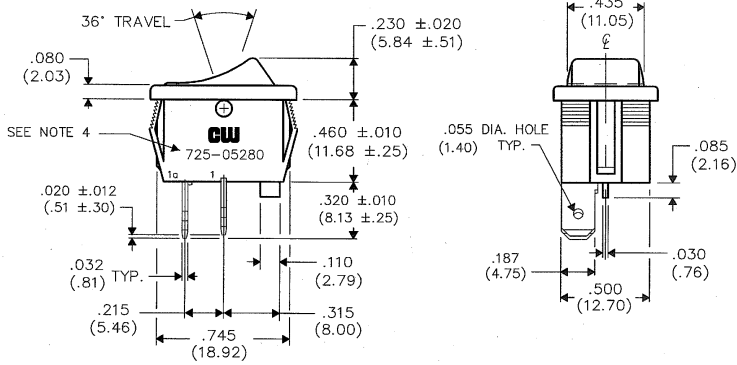
Dwg. No.
GRS-4011B-0037



PANEL PIERCING



**BOTTOM VIEW
(RELOCATED)**



NOTES:

1. TERMINAL/MOVING CONTACT MATERIAL - CU ALLOY (MICROFINISHED)
2. HOUSING MATERIAL - NYLON 6/6
COLOR - BLACK
3. BUTTON MATERIAL - NYLON 6/6 15% GF
COLOR - CRAFTSMAN RED RD4E065
4. CUSTOMER PART NUMBER LOCATION AS SHOWN ON DRAWING

UL/CSA ELECTRICAL RATING:

13A. 125V.A.C. 10A. 250V.A.C.
1/2 H.P. 125-250V.A.C. 5A. 14V L

1	2	3	4	5	6	7	8	9	10	
REVISIONS	0	NEW RELEASE: 09-21-2010 EJP								SEP 21 2010

ATTENTION
THIS DRAWING AND ITS ATTACHMENTS, IF ANY, ARE PROPRIETARY TO CW INDUSTRIES AND DESCRIBE DESIGNS THAT ARE CONFIDENTIAL AND MUST NOT BE DISCLOSED UNLESS AUTHORIZED, IN WRITING, BY AN OFFICER OF CW INDUSTRIES.....

<p>Southampton, Pa. 18966</p> <p>TOLERANCES UNLESS OTHERWISE SPECIFIED</p> <p>2 Place Decimal ±.010 METRIC</p> <p>3 Place Decimal ±.005 1 Place Dec. ±.25mm</p> <p>Angles 31° 2 Place Dec. ±.13mm</p>	<p>Title: MINI SWITCH SNAP - IN S.P. - S.T. MOMENTARY</p>
	<p>Division: SWITCH</p>
	<p>Dwg. No. GRS-4011B-0037</p>
	<p>PDF FILE MADE</p> <p>Drawn by: EJP 09-21-2010</p> <p>Checked by: G.Guld 9-21-10</p> <p>Approval: <i>[Signature]</i> 9/21/10</p>

MASTER