



Distributor of Molex Connector Corporation: Excellent Integrated System Limited
Datasheet of 0190070084 - Connector Quick Connect Receptacle 10-12 AWG 0.250"
(6.35mm) Crimp

Contact us: sales@integrated-circuit.com Website: www.integrated-circuit.com

Excellent Integrated System Limited

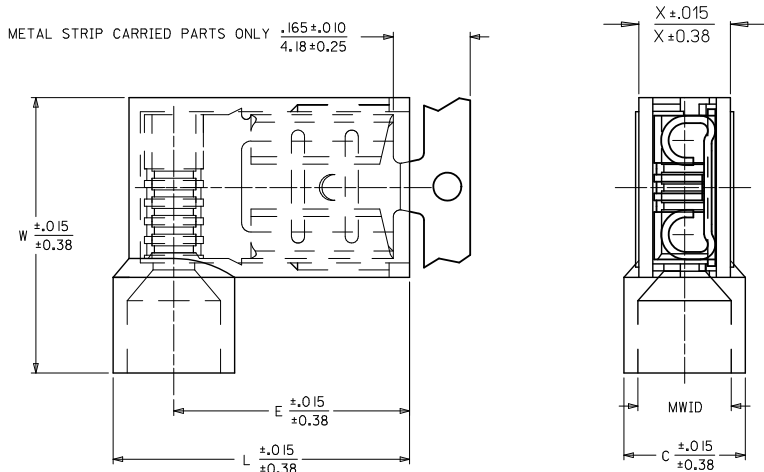
Stocking Distributor

Click to view price, real time Inventory, Delivery & Lifecycle Information:

[Molex Connector Corporation](#)
[0190070084](#)

For any questions, you can email us directly:
sales@integrated-circuit.com

PART NO.	CARRIER STYLE	AWG	COLOR	MWID	TAB SIZE	E	C	L	W	X
190070064	LOOSE	22-18	RED	.176/4.47	.250 X .032	.512/13.00	.236/5.99	.630/16.00	.585/14.86	.197/5.00
190070065	TAPE	22-18	RED	.176/4.47	.250 X .032	.512/13.00	.236/5.99	.630/16.00	.585/14.86	.197/5.00
190070066	STRIP	22-18	RED	.176/4.47	.250 X .032	.512/13.00	.236/5.99	.630/16.00	.585/14.86	.197/5.00
190070073	LOOSE	16-14	BLUE	.200/5.08	.250 X .032	.500/12.70	.260/6.60	.630/16.00	.585/14.86	.197/5.00
190070074	TAPE	16-14	BLUE	.200/5.08	.250 X .032	.500/12.70	.260/6.60	.630/16.00	.585/14.86	.197/5.00
190070075	STRIP	16-14	BLUE	.200/5.08	.250 X .032	.500/12.70	.260/6.60	.630/16.00	.585/14.86	.197/5.00
190070082	LOOSE	12-10	YELLOW	.260/6.60	.250 X .032	.511/12.98	.311/7.90	.667/16.93	.677/17.20	.246/6.25
190070083	TAPE	12-10	YELLOW	.260/6.60	.250 X .032	.511/12.98	.311/7.90	.667/16.93	.677/17.20	.246/6.25
190070084	STRIP	12-10	YELLOW	.260/6.60	.250 X .032	.511/12.98	.311/7.90	.667/16.93	.677/17.20	.246/6.25



SALES DRAWING

- NOTES:
 1. MWID = MAX. WIRE INSULATION DIA.
 2. MATERIAL:
 HOUSING: NYLON 6/6 94V-0 RATING
 TERMINAL: TIN PLATED BRASS
 3. PARTS ARE ROHS COMPLIANT.

P/N TYPO EC NO: ETC2006-0048 DRAWN: LOMASTRO 2005/09/26 CHKD: PAULICKI 2005/09/28 APPR: RDEROSS 2005/09/28	QUALITY SYMBOLS ▽=0 ▽=0	GENERAL TOLERANCES (UNLESS SPECIFIED)		DIMENSION STYLE		SCALE	DESIGN UNITS	THIRD ANGLE PROJECTION	
				IN/MM			INCH		
		4 PLACES	±	---	±	---	DRAWN BY	DATE	TITLE
		3 PLACES	±	---	±	---	HBEITZEL	01/06/05	FLAG FID INSULKRIMP 94V-0 MATERIAL 0250X .032 TAB
2 PLACES	±	---	±	---	CHECKED BY	DATE			
1 PLACE	±	---	±	---	RDEROSS	01/06/05			
ANGULAR ±1/2°		APPROVED BY		DATE		Molex MOLEX INCORPORATED			
DRAFT WHERE APPLICABLE MUST REMAIN WITHIN DIMENSIONS		MATERIAL NO.		DOCUMENT NO.		SHEET NO.			
		SEE CHART		SD-19007-002		1 OF 1			
THIS DRAWING CONTAINS INFORMATION THAT IS PROPRIETARY TO MOLEX INCORPORATED AND SHOULD NOT BE USED WITHOUT WRITTEN PERMISSION									