

## Excellent Integrated System Limited

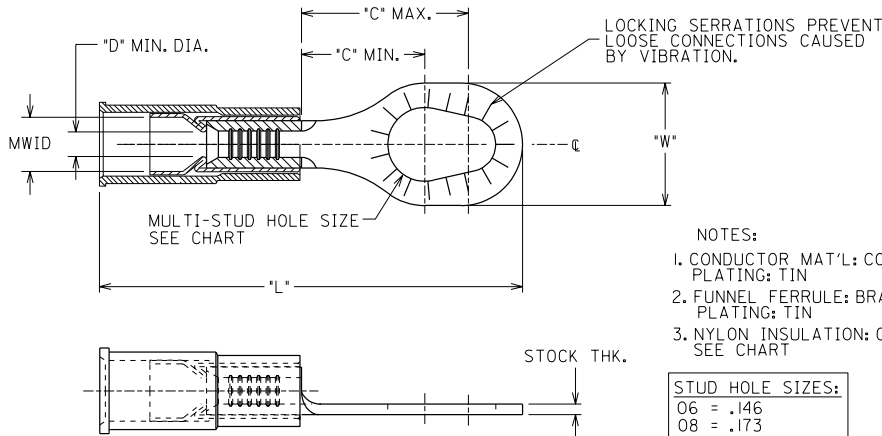
Stocking Distributor

Click to view price, real time Inventory, Delivery & Lifecycle Information:

[Molex Connector Corporation](#)  
[0190810006](#)

For any questions, you can email us directly:

[sales@integrated-circuit.com](mailto:sales@integrated-circuit.com)



- NOTES:
1. CONDUCTOR MAT'L: COPPER  
PLATING: TIN
  2. FUNNEL FERRULE: BRASS  
PLATING: TIN
  3. NYLON INSULATION: COLOR CODED  
SEE CHART

STUD HOLE SIZES:	
06	= .146
08	= .173
10	= .198

A	UPDATE BORDER CHANGE 1" DIM. ETC10785 04/07 JH
LTR.	REVISIONS

CUSTOMER DRAWING

MWID = MAX. WIRE INSULATION DIA.

PART NUMBERS ARE FOR LOOSE PIECE TO ORDER PARTS ON TAPE ADD A "T" TO END OF PART NUMBER

PART NUMBER	WIRE RANGE AWG	INSUL. COLOR	"L" MAX.	"W" MAX.	"C" MIN.	"C" MAX.	"D" MIN.	MWID	STUD SIZE RANGE FOR EA. PART No.	STOCK THICKNESS
A-5006-MS	22-18	RED	1.064	.348	.330	.447	.062	.140	6, 8, 10	.028
B-5006-MS	16-14	BLUE	1.064	.362	.330	.447	.081	.170	6, 8, 10	.031
C-5006-MS	12-10	YELLOW	1.305	.410	.330	.447	.128	.225	6, 8, 10	.040

DIMENSIONS SHOWN (METRIC) INCH UNLESS OTHERWISE SPECIFIED TOLERANCES: ANGULAR ± 1/2°		REVISE ONLY ON CAD SYSTEM																													
<table border="1"> <thead> <tr> <th></th> <th>INCH</th> <th>METRIC</th> </tr> </thead> <tbody> <tr> <td>3 PLACE</td> <td>± .005</td> <td>± ---</td> </tr> <tr> <td>2 PLACE</td> <td>± .01</td> <td>± 0.13</td> </tr> <tr> <td>1 PLACE</td> <td>± ---</td> <td>± 0.25</td> </tr> </tbody> </table>			INCH	METRIC	3 PLACE	± .005	± ---	2 PLACE	± .01	± 0.13	1 PLACE	± ---	± 0.25	<table border="1"> <tr> <td colspan="2">TITLE</td> <td>SHEET NO.</td> <td>DATE</td> </tr> <tr> <td colspan="2">VIBRAKRIMP MULTI-STUD RING TONGUE TERMINAL</td> <td>93</td> <td>02/22</td> </tr> <tr> <td colspan="2">PART NO.</td> <td colspan="2">DRWG. NO.</td> </tr> <tr> <td colspan="2">SEE TABLE</td> <td colspan="2">MSRINGCD</td> </tr> </table>		TITLE		SHEET NO.	DATE	VIBRAKRIMP MULTI-STUD RING TONGUE TERMINAL		93	02/22	PART NO.		DRWG. NO.		SEE TABLE		MSRINGCD	
	INCH	METRIC																													
3 PLACE	± .005	± ---																													
2 PLACE	± .01	± 0.13																													
1 PLACE	± ---	± 0.25																													
TITLE		SHEET NO.	DATE																												
VIBRAKRIMP MULTI-STUD RING TONGUE TERMINAL		93	02/22																												
PART NO.		DRWG. NO.																													
SEE TABLE		MSRINGCD																													
DRAFT WHERE APPLICABLE MUST REMAIN WITHIN DIMENSIONS		<table border="1"> <tr> <td>FILE NAME</td> <td>THIS DRAWING CONTAINS INFORMATION THAT IS PROPRIETARY TO MOLEX-ETC INC. AND SHOULD NOT BE USED WITHOUT WRITTEN PERMISSION.</td> </tr> <tr> <td>MSRINGCD</td> <td></td> </tr> </table>		FILE NAME	THIS DRAWING CONTAINS INFORMATION THAT IS PROPRIETARY TO MOLEX-ETC INC. AND SHOULD NOT BE USED WITHOUT WRITTEN PERMISSION.	MSRINGCD																									
FILE NAME	THIS DRAWING CONTAINS INFORMATION THAT IS PROPRIETARY TO MOLEX-ETC INC. AND SHOULD NOT BE USED WITHOUT WRITTEN PERMISSION.																														
MSRINGCD																															
DRWG. BY: EMF	CHKD. BY: RWD	FILE NAME: MSRINGCD	THIS DRAWING CONTAINS INFORMATION THAT IS PROPRIETARY TO MOLEX-ETC INC. AND SHOULD NOT BE USED WITHOUT WRITTEN PERMISSION.																												
APP'D. BY: RWD	SCALE: NO:NE																														

10 9 8 7 6 5 4 3 2 1