

## Excellent Integrated System Limited

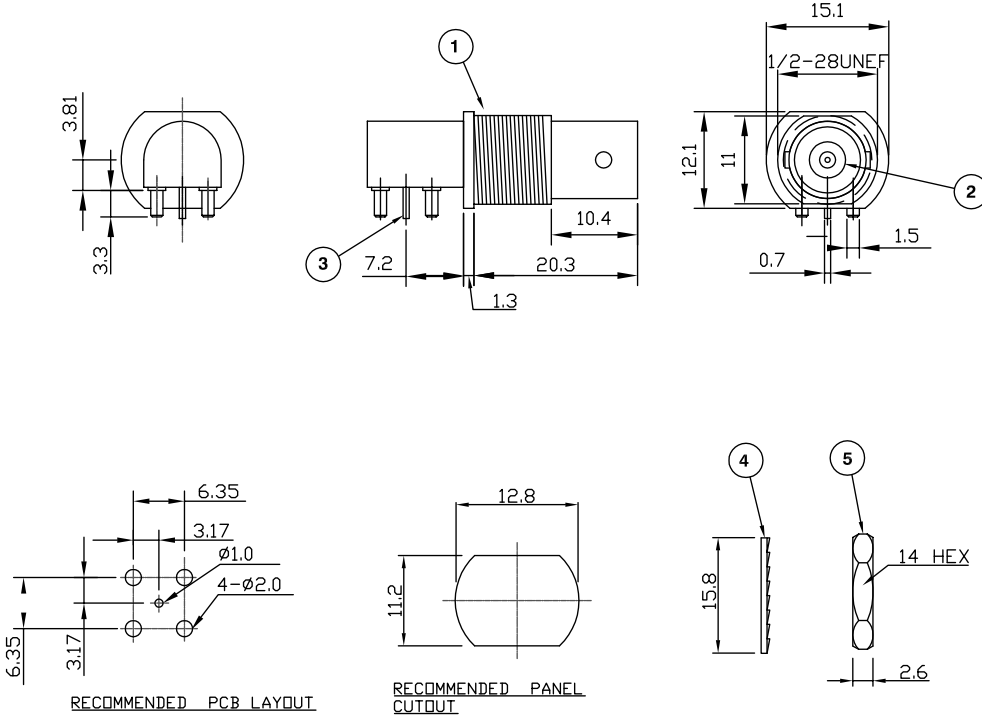
Stocking Distributor

Click to view price, real time Inventory, Delivery & Lifecycle Information:

[Bel Fuse Inc.](#)  
[VBM511-1502](#)

For any questions, you can email us directly:  
[sales@integrated-circuit.com](mailto:sales@integrated-circuit.com)

RoHS COMPLIANT



**Electrical Characteristics**

Nominal Impedance:	50 ohms
Frequency Range:	DC to 1.5 GHz
VSWR:	1.35:1 maximum
Insertion Loss:	0.2 dB at 3 GHz
Operating Voltage (rms):	500 V maximum at sea level
Dielectric Withstand Voltage (rms):	1000 V maximum at sea level
Contact Resistance:	3.0 milliohms maximum
Insulation Resistance:	5000 megohms minimum
Current Rating:	3 Amps maximum

**Mechanical Characteristics**

Mating Cycles:	500 cycles minimum
Interface Dimensions:	Conform to MIL-C-39012

**Environmental Characteristics**

Temperature Range:	-55 °C to +85 °C
--------------------	------------------

REF.	DESCRIPTION	MATERIAL	PLATING
1	Shell	Zinc Alloy	Nickel
2	Insulator	Polypropylene	
3	Socket Contact	Phosphor Bronze	Gold
4	Lock Washer	Iron	Nickel
5	Hex Nut	Brass	Nickel

DESCRIPTION OF REVISION	APPVD	ISS	DATE
Dimension Update	JC	6	15 May 15
Complete Update	KA	5	17 Mar 08
Dimensions corrected	SN	4	08 Jun 04
CAD Issue	SN	3	07 Feb 02
New Format	RCS	2	28 Jan 00
First Issue	AT	1	16 Sep 99



11 Bilton Road,  
 Chelmsford, Essex,  
 CM1 2UP UK.  
 Tel: +44 (0) 1245 359515  
 Fax: +44 (0) 1245 358938

SCALE: Not To Scale	DRAWN BY: S Nash	TITLE: <b>Shielded BNC PCB Mount R/A Jack</b>
DIMENSIONS: mm	CHECKED BY: J Cracknell	
TOLERANCES: ± 0.2mm unless otherwise stated	APPROVED BY: M Spooner	
	DATE: 08 Jun 04	

PART NUMBER: <b>VBM511-1502</b>
PAGE: 1 of 1