

Excellent Integrated System Limited

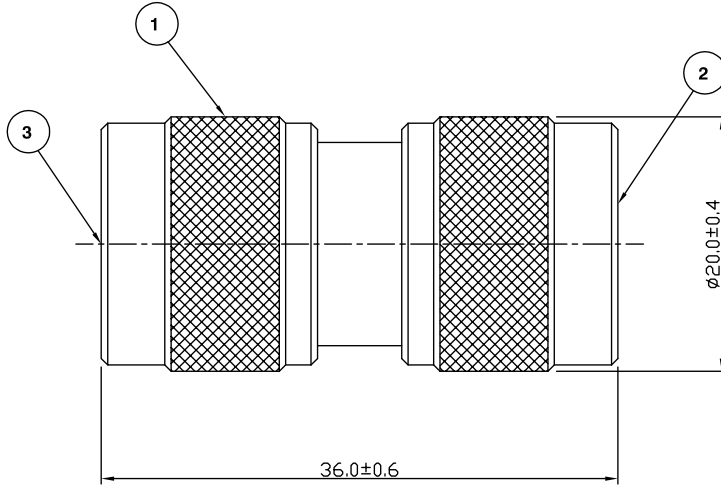
Stocking Distributor

Click to view price, real time Inventory, Delivery & Lifecycle Information:

[Bel Fuse Inc.](#)
[VNA516](#)

For any questions, you can email us directly:
sales@integrated-circuit.com

RoHS COMPLIANT



Electrical Characteristics

Nominal Impedance: 50 ohms
 Frequency Range: DC to 11 GHz
 Operating Voltage (rms): 1500 V maximum at sea level
 Dielectric Withstand Voltage (rms): 2500 V maximum at sea level
 Contact Resistance: 1.0 milliohms maximum
 Insulation Resistance: 5000 megohms minimum

Mechanical Characteristics

Mating Cycles: 500 cycles minimum
 Interface Dimensions: Conform to MIL-C-39012

Environmental Characteristics

Temperature Range: -65 °C to +165 °C

PART	DESCRIPTION
1	Body Brass, nickel plated
2	Insulator PTFE
3	Contact Brass, gold plated

DESCRIPTION OF REVISION	APPVD	ISS	DATE
Dimensional Change	JT	3	05 Mar 10
Up Issue	SN	2	24 Jan 03
First Issue	SN	1	03 Oct 01



Cinch Connectivity Solutions
 7-13 Russel Way,
 Widford Industrial Estate,
 Chelmsford, Essex,
 CM1 3AA, UK.
 Tel: +44 (0) 1245 359515
 Fax: +44 (0) 1245 358938

SCALE: Not To Scale

DIMENSIONS: mm

TOLERANCES:
 ± 0.2mm unless
 otherwise stated

DRAWN BY: S Nash

CHECKED BY: P Couzens

APPROVED BY: P Couzens

DATE: 24 Jan 03

TITLE:

N Plug to N Plug

PART NUMBER:

VNA516

PAGE: 1 of 1