

## Excellent Integrated System Limited

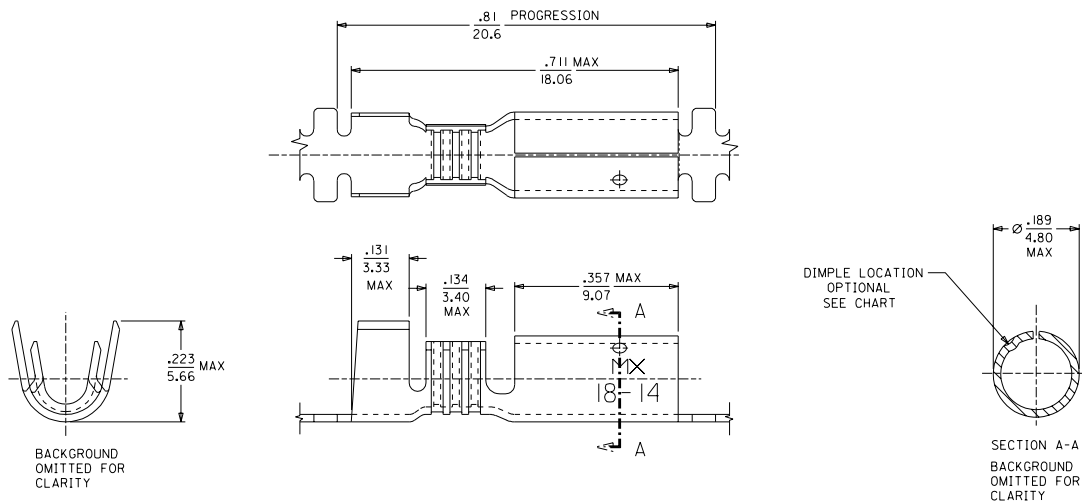
Stocking Distributor

Click to view price, real time Inventory, Delivery & Lifecycle Information:

[Molex Connector Corporation](#)  
[0197234102](#)

For any questions, you can email us directly:  
[sales@integrated-circuit.com](mailto:sales@integrated-circuit.com)

MATERIAL NO.	ENGINEERING NO.	DESCRIPTION	FINISH
197234100	19723-4100	CONTINUOUS STRIP WITH DIMPLE	UNPLATED
197234101	19723-4101	CONTINUOUS STRIP WITHOUT DIMPLE	
197234102	19723-4102	CONTINUOUS STRIP WITH DIMPLE	ELECTRO-TIN
197234103	19723-4103	CONTINUOUS STRIP WITHOUT DIMPLE	



SALES DRAWING

NOTES:  
1. MATERIA: BRASS.  
2. PLATING: SEE CHART.

NEW RELEASE EC NO. ETC2004-0035 DRW: BRE 03/08/07 CHK: HEB 03/08/07 APP: RWD 03/08/07	QUALITY SYMBOLS MAJOR CRITICAL C/-0	GENERAL TOLERANCES: (UNLESS SPECIFIED)		SCALE 4:1	DESIGN UNITS <input type="checkbox"/> mm <input checked="" type="checkbox"/> INCH	DIMENSIONS: <input type="checkbox"/> mm <input checked="" type="checkbox"/> INCH <input type="checkbox"/> mm ONLY		SHT	REV		
		4 PLACES ±0.	3 PLACES ±0.	2 PLACES ±0.	1 PLACE ±0.	ANGULAR: ± 1/2 °	THIRD ANGLE PROJECTION		REVISE ON CAD ONLY		
REV A	DESCRIPTION	DRAFT WHERE APPLICABLE MUST REMAIN WITHIN DIMENSIONS		CAD FILENAME SD-19723-002 .DWG	APPROVED BY & DATE RWD 03/08/07		MATERIAL NO. SEE CHART		DRAWING NO. SD-19723-002	SHEET NO. 1 OF 1	SIZE B
				THIS DRAWING CONTAINS INFORMATION THAT IS PROPRIETARY TO MOLEX INCORPORATED AND SHOULD NOT BE USED WITHOUT WRITTEN PERMISSION.		TITLE: SNAP PLUG RECEPTACLE .156 DIA VIBRAKRIMP 18-14 AWG CHAIN STAMPED		MOLEX INCORPORATED			