

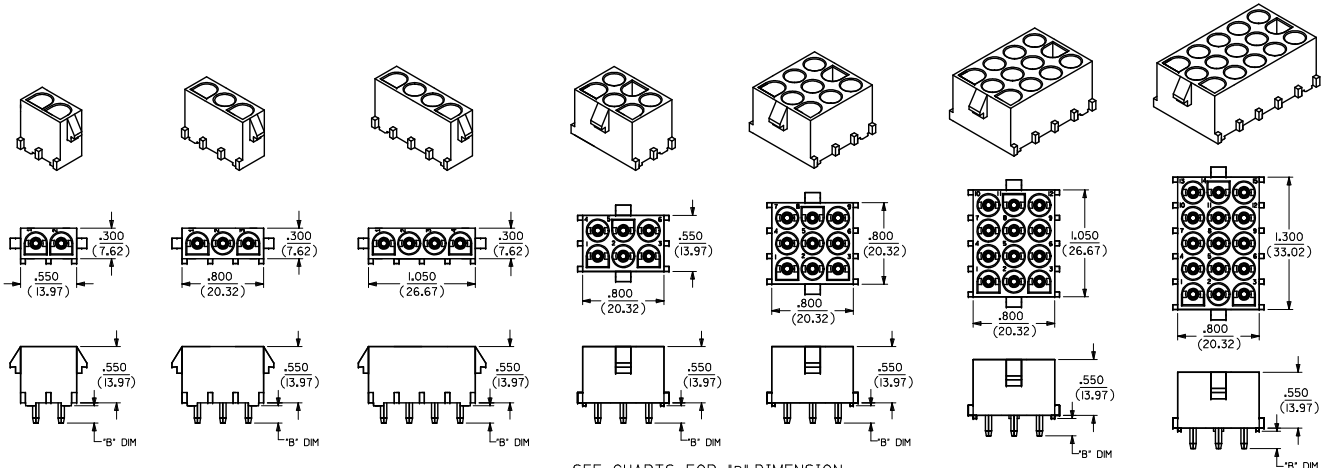
## **Excellent Integrated System Limited**

Stocking Distributor

Click to view price, real time Inventory, Delivery & Lifecycle Information:

[Molex Connector Corporation](#)  
[0367570103](#)

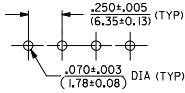
For any questions, you can email us directly:  
[sales@integrated-circuit.com](mailto:sales@integrated-circuit.com)



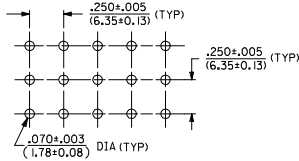
SEE CHARTS FOR "B" DIMENSION

**P.C. BOARD  
MOUNTING DIMENSIONS**

**2, 3, & 4 POSITION HEADER ASSEMBLIES**



**6, 9, 12 & 15 POSITION HEADER ASSEMBLIES**



**NOTES:**

1. MATERIAL: NYLON PA6. UL94 V-2. COLOUR: NATURAL(WHITE)  
GLOW WIRE COMPATIBLE WITH CTI OF 325V
2. TERMINAL PLATING: ES-88-P921  
140 Hn(3.5H) MIN 240 Hn(6H) MAX OVERALL TIN HOT-DIPPED
3. TERMINAL FOR .062(1.57) THICK PC BOARD
4. DIMENSIONS ARE FOR REFERENCE ONLY UNLESS INDICATED OTHERWISE
5. HEADER ASSEMBLY HOUSING MATE WITH:  
PLUG HOUSINGS .084/(2.13)DIA. SERIES 36643
6. CONTACTS ARE ON .250/(6.35) GRID CENTERLINE SPACING
7. REFER PACKAGING SPECIFICATION  
- PK-43255-001 FOR 2.3 & 4 CIRCUIT  
- PK-43255-003 FOR 6,9,12 & 15 CIRCUIT

**RoHS COMPLIANT**

INITIAL RELEASE EC NO: 2016-0100 DRWNS306 CHKD: APPR: SHWARG REV: A	QUALITY SYMBOLS ∇=0 ∇=0 ∇=0	GENERAL TOLERANCES (UNLESS SPECIFIED)		DIMENSION STYLE IN/MM		SCALE 1:1	DESIGN UNITS INCH	THIRD ANGLE PROJECTION	
		4 PLACES ±--- ±.0002 3 PLACES ±0.005 ±.005 2 PLACES ±0.13 ±.01 1 PLACE ±0.25 ±--- 0 PLACE ±--- ±---		DRAWN BY SS06 DATE 2016/04/18 CHECKED BY DATE		TITLE MLX HEADER ASSEMBLY .084/(2.13) DIA SERIES			
		ANGULAR ±1/2°		APPROVED BY ISHWARG DATE 2016/05/09		molex			
		DRAFT WHERE APPLICABLE MUST REMAIN WITHIN DIMENSIONS		MATERIAL NO. SEE CHART SIZE A		DOCUMENT NO. SD-36757-0002		SHEET NO. 1 OF 2	

PART NUMBER	CIRCUIT SIZE	PIN(1) OR SOCKET(2) TERMINALS	"B" DIM ±0.15
36757-0101	2	1	0.17/(4.3)
36757-0141		2	
36757-0102	3	1	
36757-0142		2	
36757-0103	4	1	
36757-0143		2	
36757-0104	6	1	
36757-0144		2	
36757-0105	9	1	
36757-0145		2	
36757-0106	12	1	
36757-0146		2	
36757-0107	15	1	
36757-0147		2	

RoHS COMPLIANT

INITIAL RELEASE EC NO: 12016-0100 DRWN:SS06 CHKD: APPR: SHWARG 2016/04/18 2016/05/09 DESCRIPTION REV A	QUALITY SYMBOLS	GENERAL TOLERANCES (UNLESS SPECIFIED)	DIMENSION STYLE IN/MM	SCALE 1:1	DESIGN UNITS INCH	THIRD ANGLE PROJECTION
	▽=0	4 PLACES ± --- ±.0002	DRAWN BY SS06 DATE 2016/04/18	TITLE	MLX HEADER ASSEMBLY .084/(2.13) DIA SERIES	
	▽=0	3 PLACES ± 0.005 ±.005	CHECKED BY DATE			
	▽=0	2 PLACES ± 0.13 ±.01	APPROVED BY DATE			
		1 PLACE ± 0.25 ± ---	SHWARG 2016/05/09	MATERIAL NO.	DOCUMENT NO.	SHEET NO.
		0 PLACE ± --- ± ---	SEE CHART	SD-36757-0002	2 OF 2	
		ANGULAR ±1/2°	THIS DRAWING CONTAINS INFORMATION THAT IS PROPRIETARY TO MOLEX, INCORPORATED AND SHOULD NOT BE USED WITHOUT WRITTEN PERMISSION			
		DRAFT WHERE APPLICABLE MUST REMAIN WITHIN DIMENSIONS				