

## **Excellent Integrated System Limited**

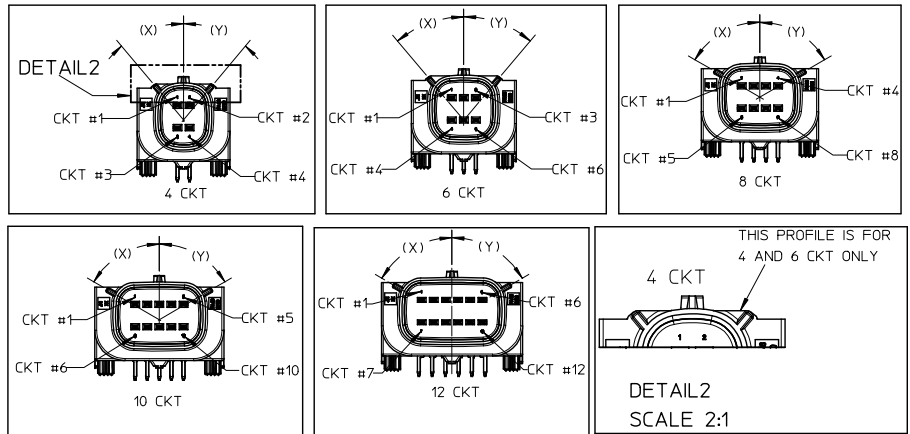
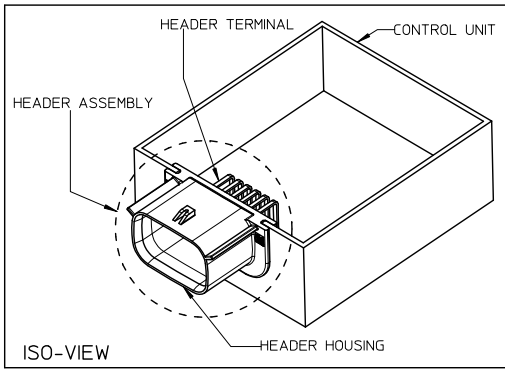
Stocking Distributor

Click to view price, real time Inventory, Delivery & Lifecycle Information:

[Molex Connector Corporation](#)  
[0367831206](#)

For any questions, you can email us directly:  
[sales@integrated-circuit.com](mailto:sales@integrated-circuit.com)

10 9 8 7 6 5 4 3 2 1



NOTES:

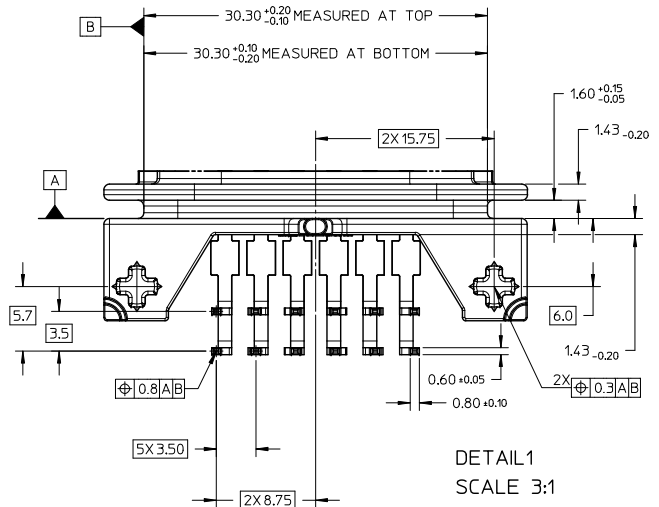
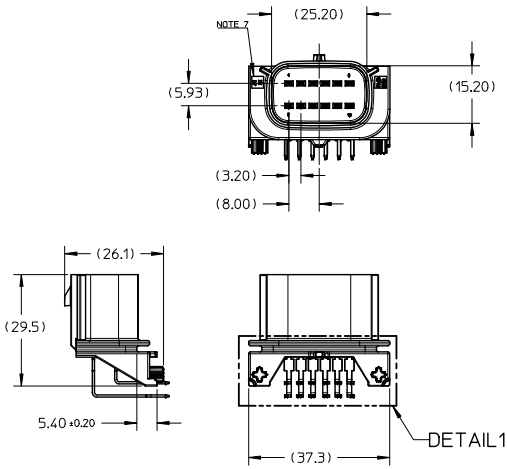
- MATERIAL
  - HEADER HOUSING: HB RATED 30% GLASS FILLED NYLON
  - HEADER TERMINAL: BRASS
- PLATING
  - POST-PLATED TIN 1 MICRON MINIMUM
- HEADER TERMINALS WILL NOT HAVE BARE EDGES
- PRODUCT WILL COMPLY WITH PS-36783-001
- HEADER MATES WITH SERIES 36792
- PCB THICKNESS CONSIDERED 1.6MM
- CAVITY NUMBER WILL BE IDENTIFIED ON HEADER. LOCATION IS AS SHOWN
- MANUFACTURING DATE CODE WILL BE IDENTIFIED ON BAR CODE LABEL SHIPPED AGAINST EACH ORDER. PARTS WILL BE TRACED AGAINST THIS
- TRUE POSITION MEASUREMENTS FOR SOLDER TAIL WILL BE PROVIDED DURING INITIAL PPAP SUBMISSION. ONGOING THIS WILL BE CHECKED WITH GAUGE
- ALL DIMENSIONS SHOWN ARE APPLICABLE AS RECEIVED INTO CUSTOMER PLACE. MOLEX OWNS RESPONSIBILITY FOR HEADER AS SHIPPED FROM MOLEX. ASSEMBLY OF HEADER ON TO CONTROL UNIT ALONG WITH ITS FUNCTIONALITY COMES UNDER CUSTOMER SCOPE.
- COMPLY WITH PACKING SPECIFICATION PK-36783-001
- PRODUCT TOOLING STATUS - PRODUCTION TOOLING AVAILABLE FOR 12 CIRCUIT ONLY (SEE TABLE A).

SEE SHEET 5 EC NO: 2014-0218 (DR: WAHITHYAGARAJ 2014/06/25) (CHKD: KPRASAD) (APP: KPRASAD)	2014/07/07 DESCRIPTION REV	QUALITY SYMBOLS	GENERAL TOLERANCES (UNLESS SPECIFIED)	DIMENSION STYLE MM ONLY		SCALE 1:1	DESIGN UNITS METRIC	THIRD ANGLE PROJECTION		
		$\nabla=0$ $\nabla=0$ $\nabla=0$	mm    INCH 4 PLACES ± --- ± --- 3 PLACES ± --- ± --- 2 PLACES ± --- ± --- 1 PLACE ± --- ± --- 0 PLACE ± --- ± ---	DRAWN BY    DATE STHM01    2012/07/17 CHECKED BY    DATE KPRASAD    2012/07/19 APPROVED BY    DATE KPRASAD    2013/09/13	TITLE	MX120G DUAL ROW 3.2/3.5 HEADER ASSY SEALED SYSTEM <b>molex</b>				
		ANGULAR ± --- ° DRAFT WHERE APPLICABLE MUST REMAIN WITHIN DIMENSIONS	MATERIAL NO. SEE TABLE A & B	DOCUMENT NO.	SD-36783-004					
		SIZE A3	THIS DRAWING CONTAINS INFORMATION THAT IS PROPRIETARY TO MOLEX INCORPORATED AND SHOULD NOT BE USED WITHOUT WRITTEN PERMISSION							
										SHEET NO. 1 OF 5

9 8 7 6 5 4 3 2 1

10 9 8 7 6 5 4 3 2 1

12CKT HEADER DIMENSIONS DETAILS- SEE BELOW IN SHEET 2 OF 4

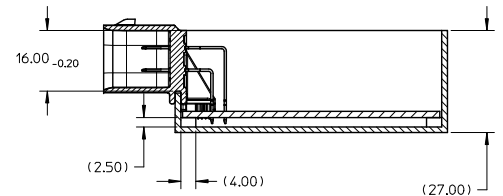
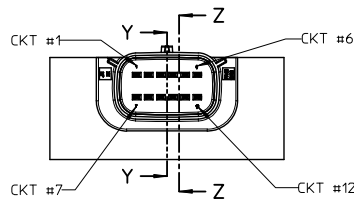
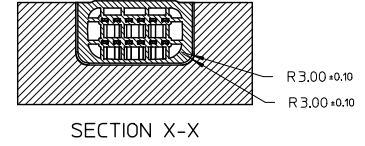
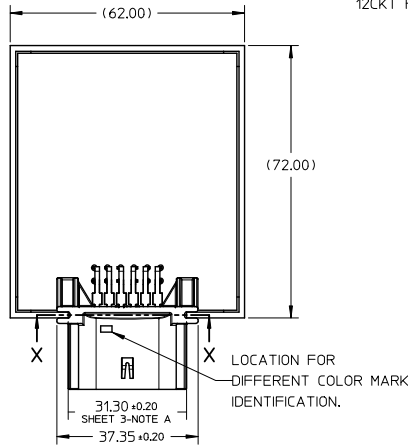
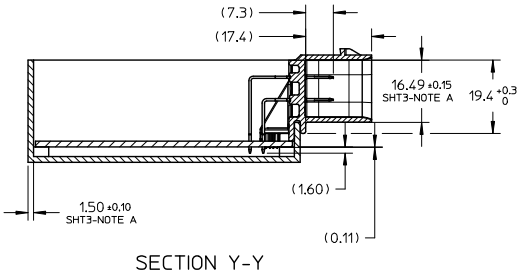


SEE SHEET 5 EC NO: 2014-0218 DRAWN BY: HITHYAGARAJ CHKD: APPR: KPRASAD 2014/06/25 2014/07/07	QUALITY SYMBOLS	GENERAL TOLERANCES (UNLESS SPECIFIED)		DIMENSION STYLE		SCALE	DESIGN UNITS	THIRD ANGLE PROJECTION	
	▽=0	mm	INCH	MM ONLY		1:1	METRIC		
	▽=0	4 PLACES ±---	±---	DRAWN BY	DATE	TITLE			
	▽=0	3 PLACES ±---	±---	STHM01	2012/07/17	MX120G DUAL ROW 3.2/3.5 HEADER ASSY SEALED SYSTEM			
▽=0	2 PLACES ±---	±---	CHECKED BY	DATE	<b>molex</b> DOCUMENT NO. SD-36783-004 SHEET NO. 2 OF 5				
▽=0	1 PLACE ±---	±---	KPRASAD	2012/07/19					
▽=0	0 PLACE ±---	±---	APPROVED BY	DATE					
	ANGULAR ±---	±---	KPRASAD	2013/09/13					
	DRAFT WHERE APPLICABLE MUST REMAIN WITHIN DIMENSIONS			MATERIAL NO.					
				SEE TABLE A & B					
				SIZE A3		THIS DRAWING CONTAINS INFORMATION THAT IS PROPRIETARY TO MOLEX INCORPORATED AND SHOULD NOT BE USED WITHOUT WRITTEN PERMISSION			

9 8 7 6 5 4 3 2 1

10 9 8 7 6 5 4 3 2 1

12CKT HEADER DIMENSIONS DETAILS- SEE BELOW IN SHEET 3 OF 4



NOTE A  
- ALL THESE DIMENSIONS ARE BOX DIMENSIONS TOL. OF THESE ARE CONSIDERED AS GENERAL TOL. AS MENTIONED AGAINST THE DIMENSIONS.

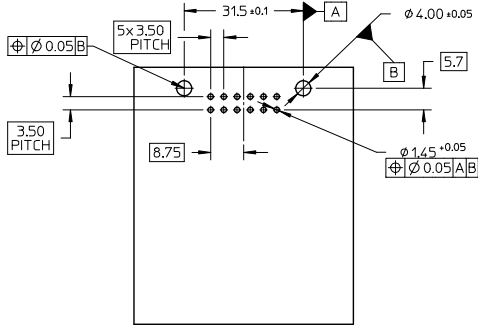
SEE SHEET 5 EC NO: 12014-0218 DRAWN: HITHYAGARAJ - 2014/06/25 CHKD: APPR: KPRASAD 2014/07/07	QUALITY SYMBOLS	GENERAL TOLERANCES (UNLESS SPECIFIED)		DIMENSION STYLE		SCALE	DESIGN UNITS	THIRD ANGLE PROJECTION	
	∇=0 ∇=0 ∇=0	mm	INCH	MM ONLY		1:1	METRIC	DRAWN BY DATE STHM01 2012/07/17 CHECKED BY DATE KPRASAD 2012/07/19 APPROVED BY DATE KPRASAD 2013/09/13	
		4 PLACES	± ---	± ---	TITLE		MX120G DUAL ROW 3.2/3.5 HEADER ASSY SEALED SYSTEM <b>molex</b> MATERIAL NO. SEE TABLE A & B DOCUMENT NO. SD-36783-004 SHEET NO. 3 OF 5		
		3 PLACES	± ---	± ---	MATERIAL NO.				
2 PLACES	± ---	± ---	SEE TABLE A & B						
1 PLACE	± ---	± ---	DRAFT WHERE APPLICABLE MUST REMAIN WITHIN DIMENSIONS		SIZE		THIS DRAWING CONTAINS INFORMATION THAT IS PROPRIETARY TO MOLEX INCORPORATED AND SHOULD NOT BE USED WITHOUT WRITTEN PERMISSION		
0 PLACE	± ---	± ---	ANGULAR ± --- °		SIZE				

9 8 7 6 5 4 3 2 1

10	9	8	7	6	5	4	3	2	1
----	---	---	---	---	---	---	---	---	---

TABLE A

PART #	CIRCUIT SIZE	HEADER HOUSING COLOUR	COLOR MARK IDENTIFICATION	KEYING DIMENSION		STATUS	HEADER HOUSING QTY	HEADER TERMINAL QTY	PART #	CIRCUIT SIZE	HEADER HOUSING COLOUR	COLOR MARK IDENTIFICATION	KEYING DIMENSION		STATUS	HEADER HOUSING QTY	HEADER TERMINAL QTY
				(X)	(Y)								(X)	(Y)			
367830401	4	BLACK	-	40°	40°	NOT TOOLED	1	4	367831001	10	BLACK	-	60°	60°	NOT TOOLED	1	10
367830402	4		BROWN	40°	40°				367831002	10		BROWN	60°	60°			
367830403	4		RED	40°	40°				367831003	10		RED	60°	60°			
367830404	4		GREEN	40°	40°				367831004	10		GREEN	60°	60°			
367830405	4		GREY	40°	40°				367831005	10		GREY	60°	60°			
367830406	4		BLUE	40°	40°				367831006	10		BLUE	60°	60°			
367830407	4		YELLOW	40°	40°				367831007	10		YELLOW	60°	60°			
367830408	4		WHITE	40°	40°				367831008	10		WHITE	60°	60°			
367830601	6	BLACK	-	40°	40°	NOT TOOLED	1	6	367831201	12	BLACK	-	60°	60°	TOOLED	1	12
367830602	6		BROWN	40°	40°				367831202	12		BROWN	60°	60°			
367830603	6		RED	40°	40°				367831203	12		RED	60°	60°			
367830604	6		GREEN	40°	40°				367831204	12		GREEN	60°	60°			
367830605	6		GREY	40°	40°				367831205	12		GREY	60°	60°			
367830606	6		BLUE	40°	40°				367831206	12		BLUE	60°	60°			
367830607	6		YELLOW	40°	40°				367831207	12		YELLOW	60°	60°			
367830608	6		WHITE	40°	40°				367831208	12		WHITE	60°	60°			
367830801	8	BLACK	-	60°	60°	NOT TOOLED	1	8	367831209	12	BLACK	ORANGE	60°	60°	TOOLED	1	12
367830802	8		BROWN	60°	60°				367831210	12		VIOLET	60°	60°			
367830803	8		RED	60°	60°				367831211	12		PINK	60°	60°			
367830804	8		GREEN	60°	60°												
367830805	8		GREY	60°	60°												
367830806	8		BLUE	60°	60°												
367830807	8		YELLOW	60°	60°												
367830808	8		WHITE	60°	60°												

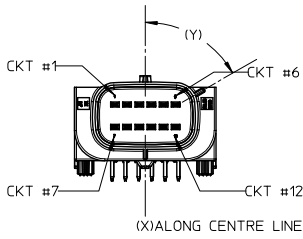


PCB LAYOUT  
(12 CKT HEADER ONLY)

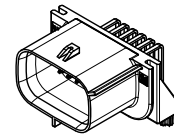
SEE SHEET 5 EC NO: 12014-0218 DRW: HTHYAGARAJ 2014/06/25 CHKD: KPRASAD APPR: KPRASAD 2014/07/07	QUALITY SYMBOLS	GENERAL TOLERANCES (UNLESS SPECIFIED)	DIMENSION STYLE	SCALE	DESIGN UNITS	THIRD ANGLE PROJECTION																		
	$\nabla=0$ $\nabla=0$ $\nabla=0$	<table border="1"> <tr> <th></th> <th>mm</th> <th>INCH</th> </tr> <tr> <td>4 PLACES</td> <td>±---</td> <td>±---</td> </tr> <tr> <td>3 PLACES</td> <td>±---</td> <td>±---</td> </tr> <tr> <td>2 PLACES</td> <td>±---</td> <td>±---</td> </tr> <tr> <td>1 PLACE</td> <td>±---</td> <td>±---</td> </tr> <tr> <td>0 PLACE</td> <td>±---</td> <td>±---</td> </tr> </table>		mm	INCH	4 PLACES	±---	±---	3 PLACES	±---	±---	2 PLACES	±---	±---	1 PLACE	±---	±---	0 PLACE	±---	±---	MM ONLY	1:1	METRIC	
		mm	INCH																					
	4 PLACES	±---	±---																					
3 PLACES	±---	±---																						
2 PLACES	±---	±---																						
1 PLACE	±---	±---																						
0 PLACE	±---	±---																						
DRAFT WHERE APPLICABLE WITHIN DIMENSIONS	MATERIAL NO. SEE TABLE A & B	DRAWN BY: STHM01 DATE: 2012/07/17 CHECKED BY: KPRASAD DATE: 2012/07/19 APPROVED BY: KPRASAD DATE: 2013/09/13	TITLE MX120G DUAL ROW 3.2/3.5 HEADER ASSY SEALED SYSTEM 	DOCUMENT NO. SD-36783-004	SHEET NO. 4 OF 5																			

ib_frame_A3_P_AM_T Rev. G 2012/01/11	9	8	7	6	5	4	3	2	1
---	---	---	---	---	---	---	---	---	---

10 9 8 7 6 5 4 3 2 1



12 CKT - VIEW ONLY FOR P/N 367831213 (SEE NOTE B)



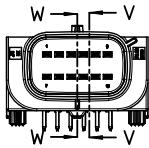
ISOMETRIC VIEW  
P/N 367831213

TABLE B

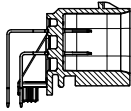
PART #	CIRCUIT SIZE	HEADER HOUSING COLOUR	COLOR MARK IDENTIFICATION	KEYING DIMENSION		STATUS	HEADER HOUSING QTY	HEADER TERMINAL QTY
				(X)	(Y)			
367831212	12	GREY COLOUR	-	60°	60°	NOT TOOLED	1	12
367831213	12			0° (ALONG CENTRE LINE)	60°			

NOTE B:

- P/N 367831213 IS SAME AS P/N 367831201 WITH DIFFERENT KEY CODING (X)-0° ALONG CENTRE LINE , (Y)-60° AND WITH GREY COLOUR HOUSING.
- FOR P/N 367831213 KEY CODE (X)-0° ALONG CENTRE LINE IS ALIGNED TO THE BOTTOM SIDE.
- ALL OTHER DIMENSIONS FOR P/N 367831213 WILL REMAIN SAME AS PER P/N 367831201.



SECTION W-W



SECTION V-V

GREY COLOUR HOUSING ADDED EC NO: 2014-0218 DRAWN: HITHAGARAJ 2014/06/25 CHKD: APPR: KPRASAD 2014/07/07 REV	QUALITY SYMBOLS	GENERAL TOLERANCES (UNLESS SPECIFIED)		DIMENSION STYLE MM ONLY		SCALE 1:1	DESIGN UNITS METRIC	THIRD ANGLE PROJECTION	
	$\sqrt{\text{R}}=0$ $\sqrt{\text{S}}=0$ $\sqrt{\text{T}}=0$	4 PLACES ± --- ± ---	3 PLACES ± --- ± ---	2 PLACES ± --- ± ---	1 PLACE ± --- ± ---	0 PLACE ± --- ± ---	ANGULAR ± --- °	DRAWN BY DATE STHM01 2012/07/17	
		DRAFT WHERE APPLICABLE MUST REMAIN WITHIN DIMENSIONS		MATERIAL NO. SEE TABLE A & B		TITLE MX120G DUAL ROW 3.2/3.5 HEADER ASSY SEALED SYSTEM			
		SIZE A3		DOCUMENT NO. SD-36783-004			SHEET NO. 5 OF 5		

9 8 7 6 5 4 3 2 1