

Excellent Integrated System Limited

Stocking Distributor

Click to view price, real time Inventory, Delivery & Lifecycle Information:

[Maxim Integrated](#)
[DS1044R-7](#)

For any questions, you can email us directly:

sales@integrated-circuit.com

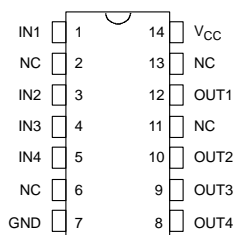
DALLAS
SEMICONDUCTOR

DS1044
 4-in-1 High-Speed Silicon Delay Line

FEATURES

- All-silicon timing circuit
- Four independent buffered delays
- Initial delay tolerance ± 1.5 ns
- Stable and precise over temperature and voltage
- Leading and trailing edge precision preserves the input symmetry
- Standard 14-pin DIP, 14-pin SOIC (150 mil)
- Vapor phase, IR and wave solderable
- Available in Tape and Reel

PIN ASSIGNMENT



DS1044 14-PIN DIP
 DS1044R 14-PIN SOIC (150 MIL)
 See Mech. Drawings
 Section

PIN DESCRIPTION

- IN1-IN4 - Input Signals
- OUT1-OUT4 - Output Signals
- NC - No Connection
- V_{CC} - +5 Volt Supply
- GND - Ground

DESCRIPTION

The DS1044 series is a 4-in-1 version of the low-power, +5 Volt, high speed, DS1035.

The DS1044 series of delay lines have four independent logic buffered delays in a single package. The device is Dallas Semiconductor's fastest 4-in-1 delay line. It is available in a standard 14-pin DIP and 14-pin SOIC.

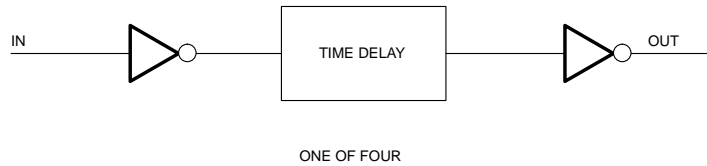
The device features precise leading and trailing edge accuracies. It has the inherent reliability of an all-silicon

delay line solution. The DS1044's nominal tolerance is ± 1.5 ns and an additional tolerance over temperature and voltage of ± 1.0 ns for the faster delays. Each output is capable of driving up to 10 LS loads.

Standard delay values are indicated in Table 1. Customers may contact Dallas Semiconductor at (972) 371-4348 for further information.

DS1044

LOGIC DIAGRAM Figure 1



PART NUMBER DELAY TABLE (t_{PLH}, t_{PHL}) Table 1

PART NUMBER	DELAY PER OUTPUT (ns)	INITIAL TOLERANCE	TOLERANCE OVER (temp and voltage)
DS1044-5	5	±1.5 ns	±1.0 ns
DS1044-6	6	±1.5 ns	±1.0 ns
DS1044-7	7	±1.5 ns	±1.0 ns
DS1044-8	8	±1.5 ns	±1.0 ns
DS1044-10	10	±1.5 ns	±1.0 ns
DS1044-12	12	±1.5 ns	±1.0 ns
DS1044-14	14	±1.5 ns	±1.5 ns
DS1044-18	18	±1.5 ns	±1.5 ns
DS1044-20	20	±1.5 ns	±1.5 ns
DS1044-25	25	±2.0 ns	±1.5 ns

NOTES:

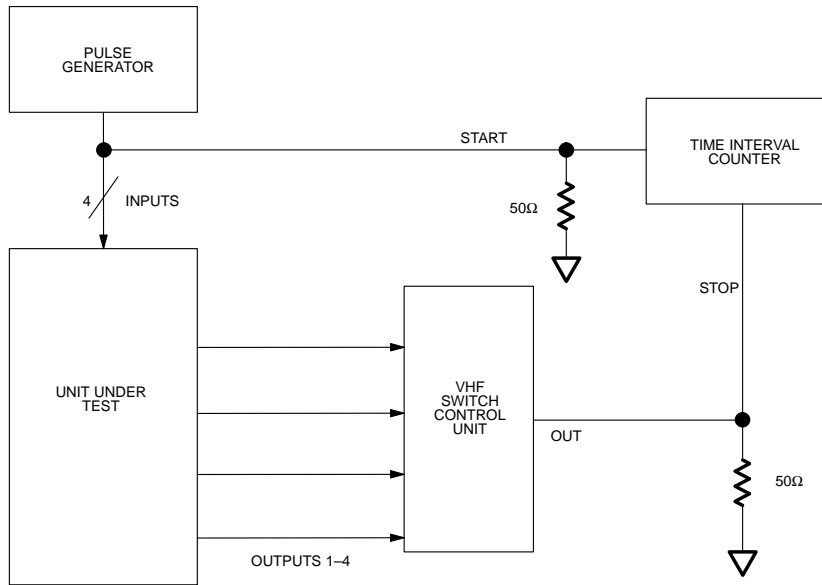
1. Nominal conditions are +25°C and V_{CC}=+5.0 volts.
2. Temperature range of 0°C to 70°C and voltage range of 4.75 volts to 5.25 volts.
3. Delay accuracy are for both leading and trailing edges.

TEST SETUP DESCRIPTION

Figure 2 illustrates the hardware configuration used for measuring the timing parameters of the DS1044. The input waveform is produced by a precision pulse generator under software control. Time delays are measured by a time interval counter (20 ps resolution) connected

to the output. The DS1044 output taps are selected and connected to the interval counter by a VHF switch control unit. All measurements are fully automated with each instrument controlled by the computer over an IEEE 488 bus.

DS1044 TEST CIRCUIT Figure 2



DS1044

ABSOLUTE MAXIMUM RATINGS*

Voltage on Any Pin Relative to Ground	-1.0V to +7.0V
Operating Temperature	0°C to 70°C
Storage Temperature	-55°C to +125°C
Soldering Temperature	260°C for 10 seconds
Short Circuit Output Current	50 mA for 1 second

* This is a stress rating only and functional operation of the device at these or any other conditions above those indicated in the operation sections of this specification is not implied. Exposure to absolute maximum rating conditions for extended periods of time may affect reliability.

DC ELECTRICAL CHARACTERISTICS

(0°C to 70°C; V_{CC}=+5V ± 5%)

PARAMETER	SYMBOL	TEST CONDITION	MIN	TYP	MAX	UNITS
Supply Voltage	V _{CC}		4.75	5.00	5.25	V
Active Current	I _{CC}	V _{CC} =5.25V Period=1μs			45	mA
High Level Input Voltage	V _{IH}		2.2		V _{CC} +0.5	V
Low Level Input Voltage	V _{IL}		-0.5		0.8	V
Input Leakage	I _L	0V ≤ V _I ≤ V _{CC}	-1.0		1.0	μA
High Level Output Current	I _{OH}	V _{CC} =4.75V V _{OH} =4V			-1.0	mA
Low Level Output Current	I _{OL}	V _{CC} =4.75V V _{OL} =0.5V	12			mA

AC ELECTRICAL CHARACTERISTICS

(+25°C; V_{CC}=5V ± 5%)

PARAMETER	SYMBOL	MIN	TYP	MAX	UNITS	NOTES
Period	t _{PERIOD}	2 (t _{WI})			ns	3
Input Pulse Width	t _{WI}	100% of Tap Delay			ns	3
Input-to-Tap Output Delay	t _{PLH} , t _{PHL}		Table 1		ns	
Output Rise or Fall Time	t _{OR} , t _{OF}		2.0	2.5	ns	
Power-up Time	t _{PU}			100	ms	

CAPACITANCE

(t_A=25°C)

PARAMETER	SYMBOL	MIN	TYP	MAX	UNITS	NOTES
Input Capacitance	C _{IN}			10	pF	

TEST CONDITIONS

Ambient Temperature: 25°C ± 3°C

Supply Voltage (V_{CC}): 5.0V ± 0.1V

Input Pulse:

High: 3.0V ± 0.1V

Low: 0.0V ± 0.1V

Source Impedance: 50Ω Max.

Rise and Fall Time: 3.0 ns Max. – Measured between 0.6V and 2.4V.

Pulse Width: 500 ns

Pulse Period: 1 μs

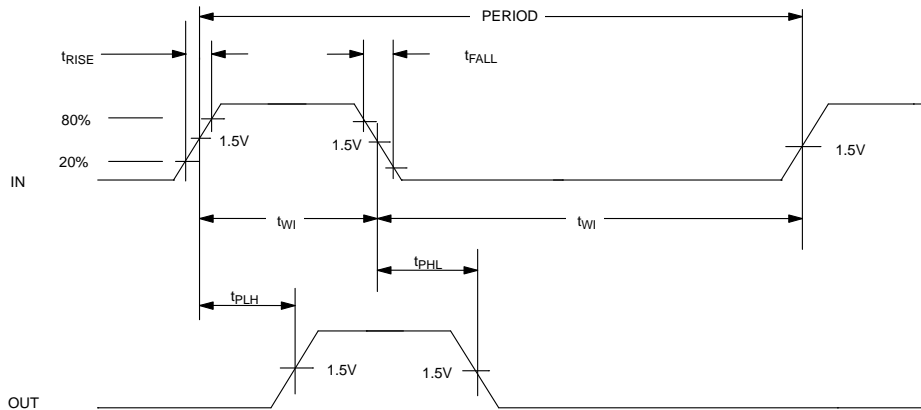
Output Load Capacitance: 15 pF

Output: Each output is loaded with the equivalent of one 74F04 input gate.

Data is measured at the 1.5V level on the rising and falling edges.

Note: The above conditions are for test only and do not restrict the devices under other data sheet conditions.

TIMING DIAGRAM



NOTES:

1. All voltages are referenced to ground.
2. @ V_{CC}=5 volts and 25°C, delay accuracy on both the rising and falling edges within tolerances given in Table 1.
3. Pulse width and duty cycle specifications may be exceeded, however, accuracy will be application sensitive with respect to de-coupling, layout, etc.

DS1044

TERMINOLOGY

Period: The time elapsed between the leading edge of the first pulse and the leading edge of the following pulse.

t_{WI} (Pulse Width): The elapsed time on the pulse between the 1.5 volt point on the leading edge and the 1.5 volt point on the trailing edge or the 1.5 volt point on the trailing edge and the 1.5 volt point on the leading edge.

t_{RISE} (Input Rise Time): The elapsed time between the 20% and the 80% point on the leading edge of the input pulse.

t_{FALL} (Input Fall Time): The elapsed time between the 80% and the 20% point on the trailing edge on the input pulse.

t_{PLH} (Time Delay, Rising): The elapsed time between the 1.5 volt point on the leading edge of the input pulse and the 1.5 volt point on the leading edge of the output pulse.

t_{PHL} (Time Delay, Falling): The elapsed time between the 1.5 volt point on the falling edge of the input pulse and the 1.5 volt point on the falling edge of the output pulse.