



Distributor of Phoenix Contact: Excellent Integrated System Limited
Datasheet of 1689019 - D-Sub Connector Receptacle, Female Sockets 5 (4 + 1 Coax or Power) Position Panel Mount Solder Cup

Contact us: sales@integrated-circuit.com Website: www.integrated-circuit.com

Excellent Integrated System Limited

Stocking Distributor

Click to view price, real time Inventory, Delivery & Lifecycle Information:

[Phoenix Contact](#)
[1689019](#)

For any questions, you can email us directly:
sales@integrated-circuit.com

D-SUB combination contact insert - VS-09-BU-DSUB-1P-4S - 1689019

Please be informed that the data shown in this PDF Document is generated from our Online Catalog. Please find the complete data in the user's documentation. Our General Terms of Use for Downloads are valid (<http://phoenixcontact.com/download>)



D-SUB contact insert, shell size 1, with four signal contacts with solder cup, straight, accommodation for one combined contact, contact type socket, fixing with a 3 mm hole, for panel mounting frame and sleeve housing VS-09-...



Key commercial data

Packing unit	1 pc
Minimum order quantity	10 pc
Weight per Piece (excluding packing)	5.1 GRM
Custom tariff number	85366990
Country of origin	Germany

Technical data

Mechanical characteristics

Number of positions	5
Connection profile	D-SUB 9
Insertion/withdrawal cycles	≥ 200
Connection method	Solder cup
Conductor cross section	0.5 mm ²
Connection cross section AWG	20
Insertion force per signal contact	≤ 3.40 N
Extraction force per signal contact	≥ 0.2 N

Ambient conditions

Ambient temperature (operation)	-55 °C ... 125 °C
---------------------------------	-------------------

Material data

Inflammability class according to UL 94	V0
Housing material	Steel, yellow chromated
Contact carrier material	PBTP

D-SUB combination contact insert - VS-09-BU-DSUB-1P-4S - 1689019

Technical data

Material data

Contact material	Copper alloy
Contact surface material	Gold over nickel

Electrical characteristics

Rated voltage (III/3)	250 V
Rated surge voltage	1 kV
Rated current	5 A
Contact resistance per contact pair	≤ 2.7 mΩ
Insulation resistance	≥ 5 GΩ

Classifications

eCl@ss

eCl@ss 4.0	27140816
eCl@ss 4.1	27260701
eCl@ss 5.0	27260701
eCl@ss 5.1	27260701
eCl@ss 6.0	27260705
eCl@ss 7.0	27440309
eCl@ss 8.0	27440309

ETIM

ETIM 2.0	EC000438
ETIM 3.0	EC000438
ETIM 4.0	EC000438
ETIM 5.0	EC000438

UNSPSC

UNSPSC 6.01	30211923
UNSPSC 7.0901	39121522
UNSPSC 11	39121522
UNSPSC 12.01	39121522
UNSPSC 13.2	39121522

Approvals

Approvals

D-SUB combination contact insert - VS-09-BU-DSUB-1P-4S - 1689019

Approvals

Approvals

GOST

Ex Approvals

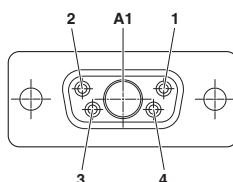
Approvals submitted

Approval details



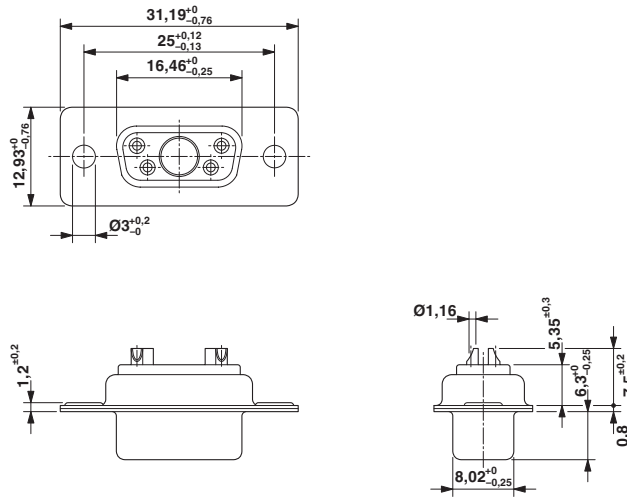
Drawings

Schematic diagram



D-SUB combination contact insert - VS-09-BU-DSUB-1P-4S - 1689019

Dimensioned drawing



D-SUB contact insert